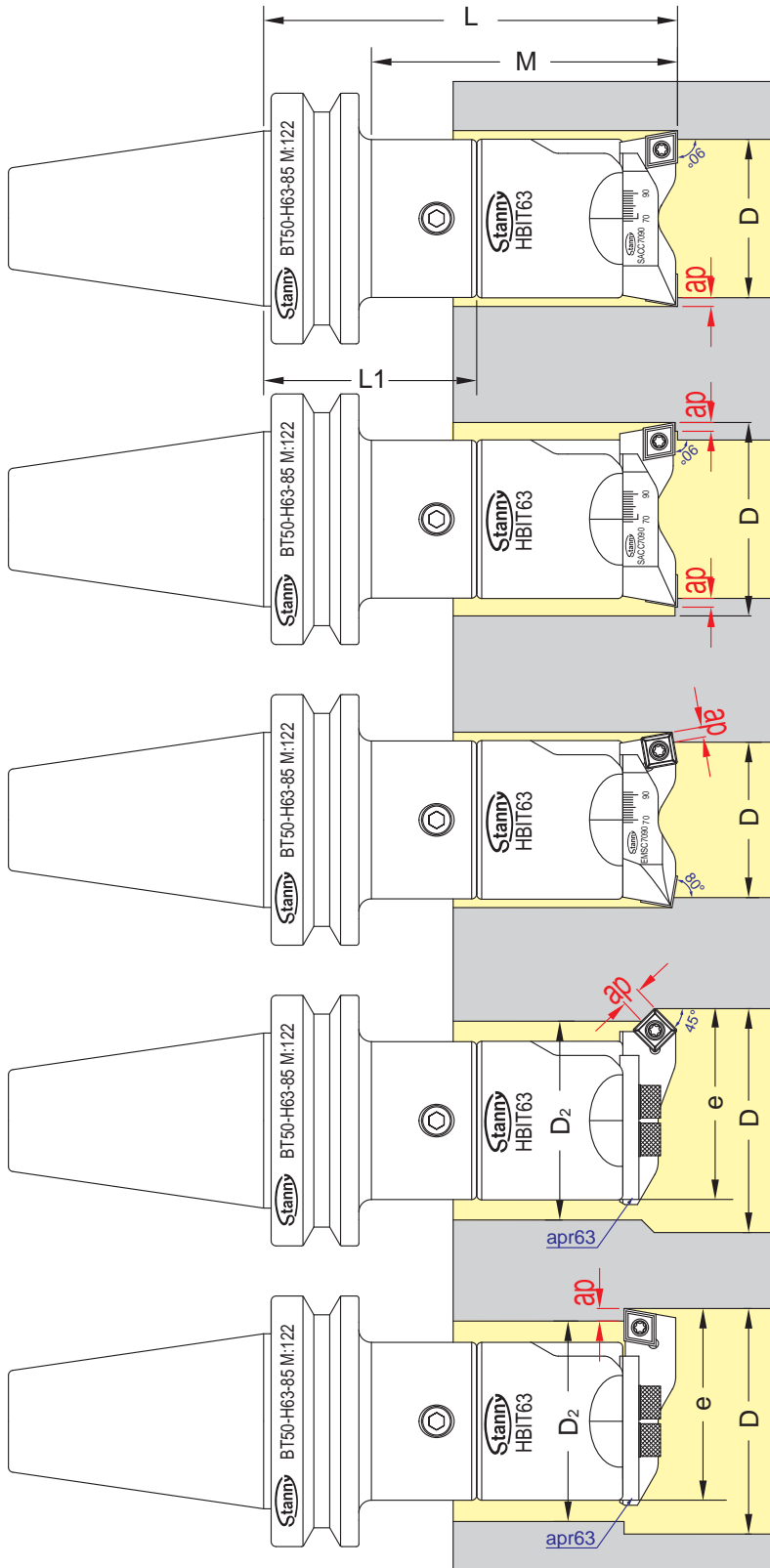


雙刃粗搪孔組合系統-搪孔示意圖

Adjustable Twin Cutter Roughing and Semi-Finishing Boring System - Illustration Diagram



雙刃一粗搪

SACC and SACC Cutting Insert Holders
HBIT-AA

雙刃一段差粗搪

SACC and SBCC Cutting Insert Holders
HBIT-AB

雙刃一80°粗搪

EMSC and EMSC 80° Cutting Insert Holders
HBIT-MM

單刃一45°正反倒角

IWSC Positive and Negative 45° Chamfer
Cutting Insert Holder and Apron

HBIT-AW

下刀徑

$D_2 > e$

$D_2 \times 2 - D > \text{HBIT_}$

單刃一反搪孔

RKCC Reverse Cutting Insert Holder and
Apron

HBIT-AK

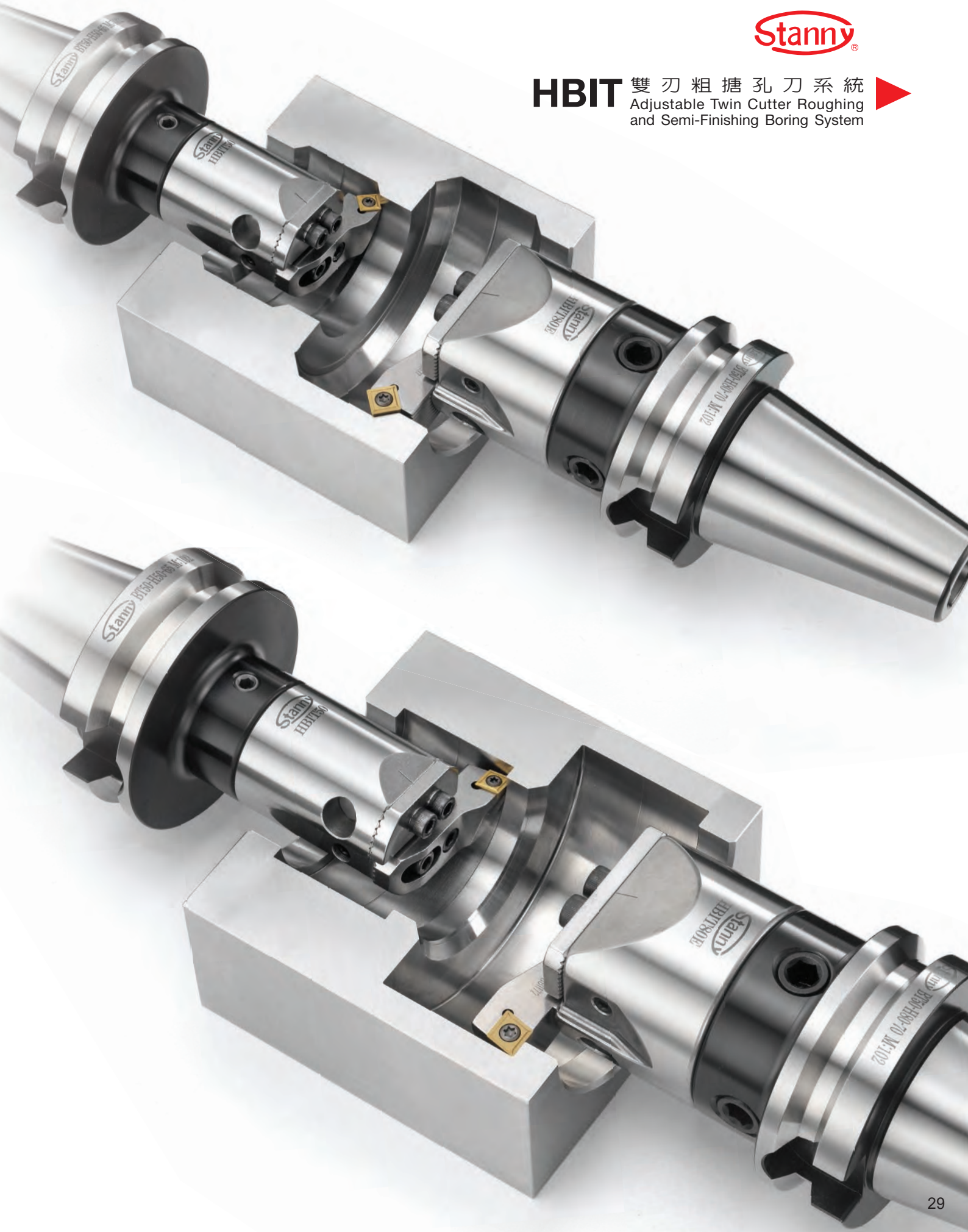
下刀徑

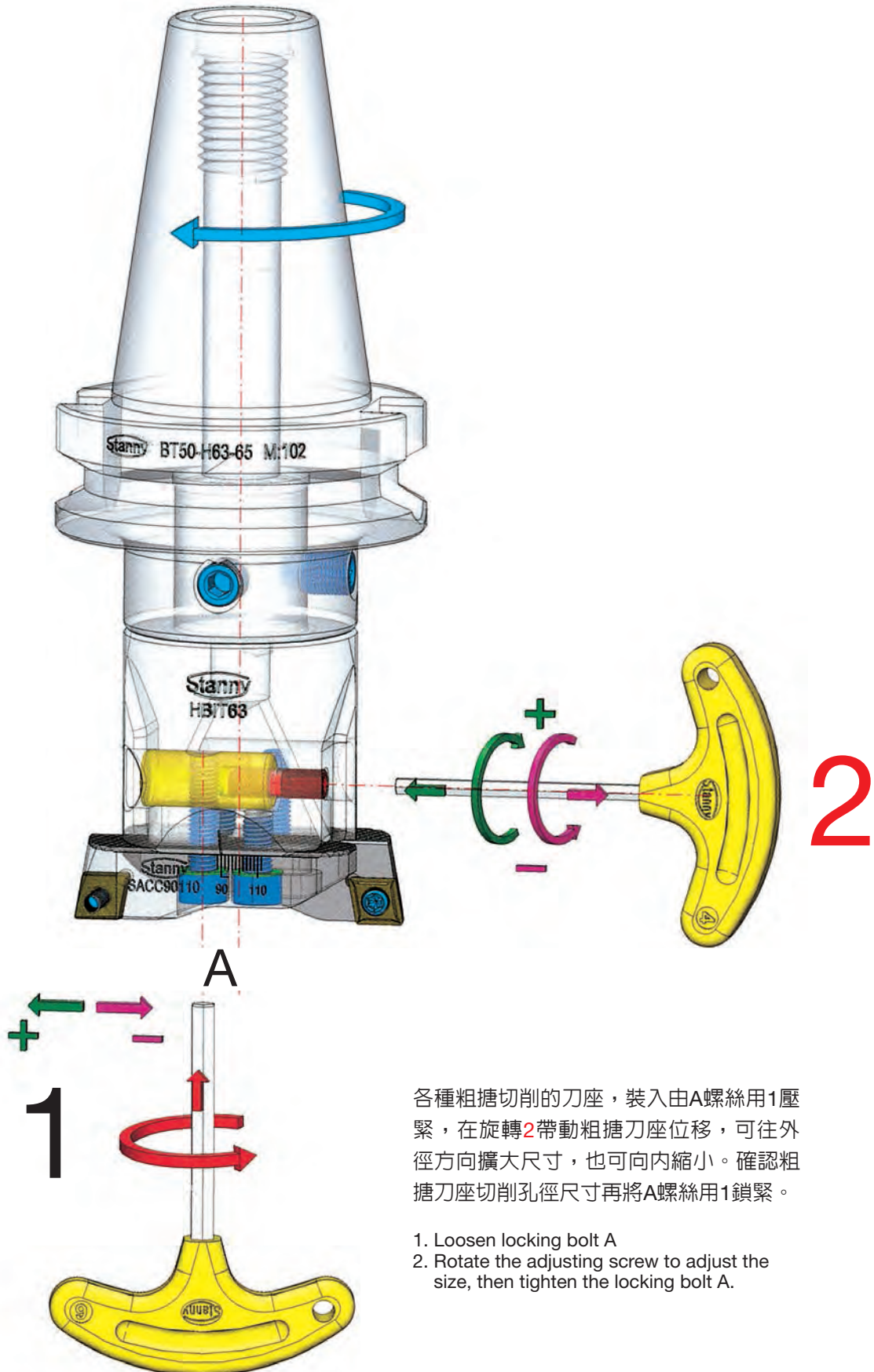
$D_2 > e$

$D_2 \times 2 - D > \text{HBIT_}$



HBIT 雙刃粗搪孔刀系統
Adjustable Twin Cutter Roughing
and Semi-Finishing Boring System

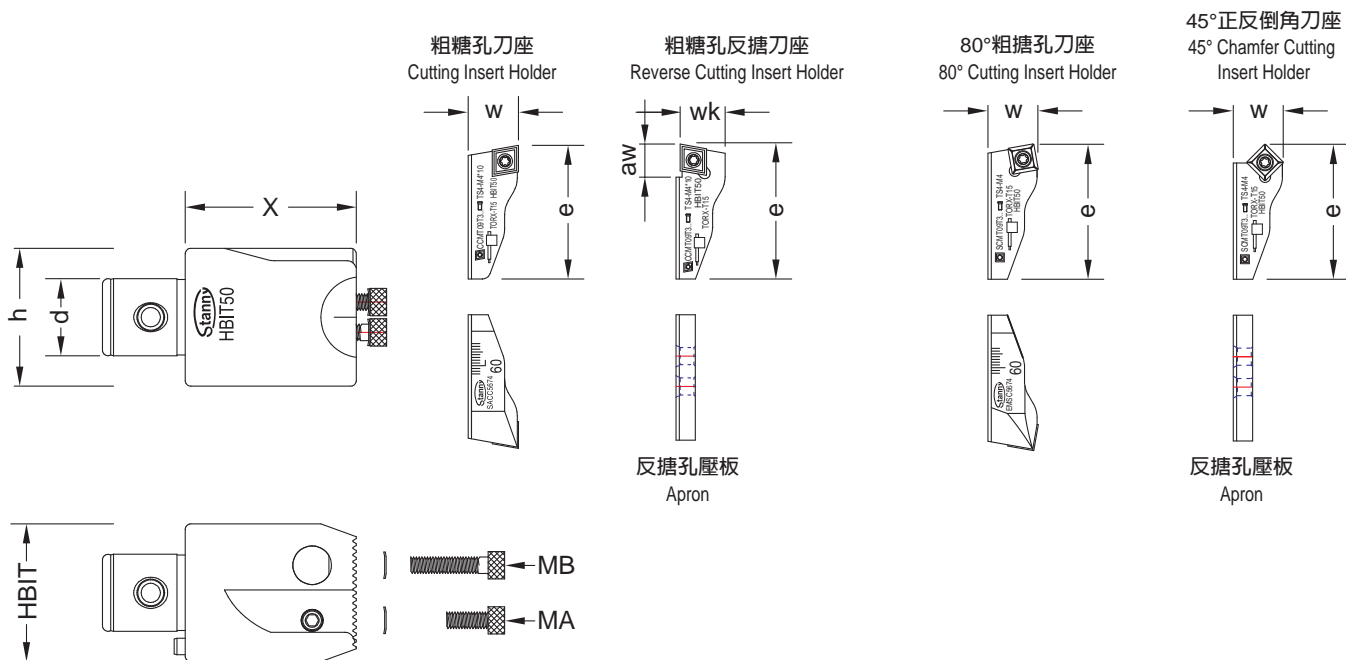




各種粗搪切削的刀座，裝入由A螺絲用1壓緊，在旋轉2帶動粗搪刀座位移，可往外徑方向擴大尺寸，也可向內縮小。確認粗搪刀座切削孔徑尺寸再將A螺絲用1鎖緊。

1. Loosen locking bolt A
2. Rotate the adjusting screw to adjust the size, then tighten the locking bolt A.

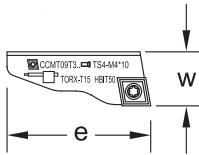
粗搪孔刀本體 Body



HBIT 雙刃粗搪孔刀-本體

Body for HBIT Adjustable Twin Cutter Roughing

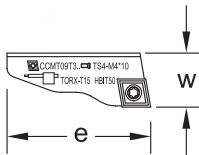
訂貨編號 Order No.	規格 Model	系統 h	d	X	MA Bolt	MB Bolt	淨重 N.W.
31000025	HBIT25	25	14	40	M4×10	M4×18	0.15
31000032	HBIT32	32	18	50	M5×10	M5×20	0.33
31000040	HBIT40	40	22	48	M6×12	M6×20	0.48
31000050	HBIT50	50	28	62	M6×14	M6×25	0.96
31000063	HBIT63	63	36	58	M8×16	M8×30	1.54
31000080	HBIT80	63	36	58	M8×16	M8×30	1.96
31000080E	HBIT80E	80	46	58	M8×16	M8×30	2.42
31000120	HBIT120	100	56	73	M10×20	M10×40	5.85



HBIT 粗搪孔刀座

Cutting Insert Holder for HBIT Adjustable Twin Cutter Roughing

訂貨編號 Order No.	較高粗搪孔刀座 Cutting Insert Holder	系統 System	範圍 D Boring Range øDMin-øDMax	W	e	刀片 Insert	搪孔量 ap	螺絲 Bolt	板手 Wrench	淨重 N.W.
30252936A	SACC2936	HBIT25	29-36	12.1	25.9	CCMT0602..	0.5-1	TS25-	T8	0.01
30253542A	SACC3542		35-42		30.6		0.02			
30323645A	SACC3645		36-45		32		0.02			
30324453A	SACC4453	HBIT32	44-53	16	38	1-3	M2.5	T8	0.02	
30404556A	SACC4556	45-56	40		0.04					
30405566A	SACC5566	55-66	46.5		0.05					
30505674A	SACC5674	HBIT50	56-74	17.9	49	CCMT09T3..	0.5-1	TS4-	T15	0.07
30507492A	SACC7492		74-92		62					0.09
30637090A	SACC7090		70-90		61					0.13
30639011A	SACC90110	HBIT63	90-110	23.1	78.5	0.5-1	TS5-	T25	0.18	
30809013A	SACC90130	90-130	80.5		0.18					
30813017A	SACC130170	130-170	100.5		0.24					
30817021A	SACC170210	HBIT80 HBIT80E	170-210	25.1	125	1-5	M5	T25	0.34	
30912013A	SACC130190	130-190	119.5	0.41						
30912017A	SACC170230	170-230	139.5	0.52						



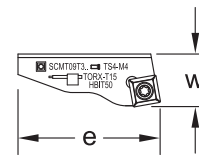
HBIT 粗搪孔刀座

Cutting Insert Holder for HBIT Adjustable Twin Cutter Roughing

訂貨編號 Order No.	較低粗搪孔刀座 Cutting Insert Holder	系統 System	範圍 D Boring Range øDMin-øDMax	W	e	刀片 Insert	搪孔量 ap	螺絲 Bolt	板手 Wrench	淨重 N.W.
30252936B	SBCC2936	HBIT25	29-36	11.8	25.9	CCMT0602..	0.5-1	TS25-	T8	0.01
30253542B	SBCC3542		35-42		30.6		0.02			
30323645B	SBCC3645		36-45		32		0.02			
30324453B	SBCC4453	HBIT32	44-53	15.6	38	1-3	M2.5	T8	0.02	
30404556B	SBCC4556	45-56	40		0.04					
30405566B	SBCC5566	55-66	46.5		0.05					
30505674B	SBCC5674	HBIT50	56-74	17.5	49	CCMT09T3..	0.5-1	TS4-	T15	0.07
30507492B	SBCC7492		74-92		62					0.09
30637090B	SBCC7090		70-90		61					0.13
30639011B	SBCC90110	HBIT63	90-110	22.7	78.5	0.5-1	TS5-	T25	0.18	
30809013B	SBCC90130	90-130	80.5		0.18					
30813017B	SBCC130170	130-170	100.5		0.24					
30817021B	SBCC170210	HBIT80 HBIT80E	170-210	24.7	125	1-5	M5	T25	0.33	
30912013B	SBCC130190	130-190	119.5	0.40						
30912017B	SBCC170230	170-230	139.5	0.51						

備註：SACC刀座和SBCC刀座差別於(W)。

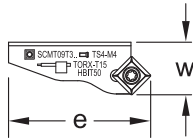
PS. The difference of SACC Cutting Insert Holder and SBCC Cutting Insert Holder is the height(W).



HBIT 80°粗搪孔刀座

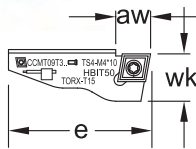
80° Cutting Insert Holder for HBIT Adjustable Twin Cutter Roughing

訂貨編號 Order No.	80°粗搪孔刀座 80° Cutting Insert Holder	系統 System	範圍 D Boring Range øDMin-øDMax	W	e	刀片 Insert	搪孔量 ap	螺絲 Bolt	板手 Wrench	淨重 N.W.
30252936M	EMSC2936	HBIT25	29-36	12.4	25.9	SCET0602..	0.5-1	TS25-	T8	0.01
30253542M	EMSC3542		35-42		30.6		0.01			
30323645M	EMSC3645		36-45		32		0.01			
30324453M	EMSC4453	HBIT32	44-53	16	38	1-3	M2.5	T8	0.02	
30404556M	EMSC4556	45-56	40		0.03					
30405566M	EMSC5566	55-66	46.5		0.04					
30505674M	EMSC5674	HBIT50	56-74	18.3	49	SCMT09T3..	0.5-1	TS4-	T15	0.06
30507492M	EMSC7492		74-92		62					0.09
30637090M	EMSC7090		70-90		61					0.12
30639011M	EMSC90110	HBIT63	90-110	23.1	78.5	0.5-1	TS5-	T25	0.18	
30809013M	EMSC90130	90-130	80.5		0.17					
30813017M	EMSC130170	130-170	100.5		0.23					
30912013M	EMSC130190	HBIT80 HBIT80E	130-190	27.8	119.5	1-5	M5	T25	0.41	
30912017M	EMSC170230	170-230	139.5	0.52						



HBIT 45°正反倒角粗搪孔刀座 45° Chamfer Cutting Insert Holder for HBIT Adjustable Single Cutter Roughing

訂貨編號 Order No.	45°正反倒角刀座 45° Chamfer Cutting Insert Holder	系統 System	範圍 D Boring Range øDMin-øDMax	W	e	刀片 Insert	搪孔量 ap	螺絲 Bolt	板手 Wrench	淨重 N.W.
30252936W	IWSC2936	HBIT25	29-36	12.4	25.9	SCET0602..	0.5-1	TS25- M2.5	T8	0.01
30253542W	IWSC3542	HBIT32	35-42		30.6		1-3			0.01
30323645W	IWSC3645		36-45		32		0.01			
30324453W	IWSC4453	HBIT40	44-53	16	38	SCMT09T3..	0.5-1	TS4- M4	T15	0.02
30404556W	IWSC4556		45-56		40					0.03
30405566W	IWSC5566	55-66	46.5	1-4	0.04					
30505674W	IWSC5674	HBIT50	56-74	18.3	49	SCMT1204..	0.5-1	TS5- M5	T25	0.06
30507492W	IWSC7492		74-92		62					0.09
30637090W	IWSC7090	HBIT63	70-90	23.1	61					SCMT1204..
30639011W	IWSC9011		90-110		78.5	0.17				
30809013W	IWSC9013	90-130	80.5	0.16						
30813017W	IWSC13017	HBIT80E	130-170	27.8	100.5	1-5	TS5- M5	T25	0.22	
30912013W	IWSC13019	HBIT120	130-190		119.5				0.39	
30912017W	IWSC170230		170-230	139.5	0.50					



HBIT 粗搪孔反搪刀座 Reverse Cutting Insert Holder for HBIT Adjustable Single Cutter Roughing

訂貨編號 Order No.	粗搪孔反搪刀座 Reverse Cutting Insert Holder	系統 System	範圍 D Boring Range øDMin-øDMax	壓板 Apron	aw	wk	e	刀片 Insert	搪孔量 ap	螺絲 Bolt	板手 Wrench	淨重 N.W.
30252936K	RKCC2936	HBIT25	29-36	apr25	4	11	25	CCMT0602..	0.5-1	TS25- M2.5	T8	0.01
30253542K	RKCC3542	HBIT32	35-42	apr32	7	11	30		1-3			0.01
30323645K	RKCC3645		36-45	apr32	5	11	32		0.01			
30324453K	RKCC4453	HBIT40	44-53	apr40	9	11	38	CCMT09T3..	0.5-1	TS4- M4	T15	0.02
30404556K	RKCC4556		45-56		apr40	9	15					40
30405566K	RKCC5566	55-66	apr40	10	15	46.5	0.04					
30505674K	RKCC5674	HBIT50	56-74	apr50	11	17	48.5	CCMT1204..	0.5-1	TS5- M5	T25	0.06
30507492K	RKCC7492		74-92		apr50	17	17					62
30509211K	RKCC9211	92-110	apr50	24.5	19	71	0.13					
30501112K	RKCC110128	HBIT63	110-128	apr63	28.5	19	80	CCMT1204..	0.5-1	TS5- M5	T25	0.15
30501214K	RKCC128146		128-146		apr63	24.5	19					89
30637090K	RKCC7090	HBIT80 HBIT80E	70-90	apr80	12	22	60					CCMT1204..
30639011K	RKCC9011		90-110		apr80	22	22	78	0.17			
30631113K	RKCC110130	110-130	apr80	25	24	90	0.24					
30631315K	RKCC130150	HBIT120	130-150	apr120	25	24	100	CCMT1204..	1-5	TS5- M5	T25	0.28
30631517K	RKCC150170		150-170		apr120	25	24					110
30809013K	RKCC90130	90-130	apr120	24	22	79.5	0.16					
30813017K	RKCC130170	130-170	apr120	44	22	99.5	0.22					
30817021K	RKCC170210	170-210	apr120	45	24	125	0.36					
30912013K	RKCC130190	HBIT120	130-190	apr120	34	27	119.5	1-5	TS5- M5	T25	0.39	
30912017K	RKCC170230		170-230		apr120	54	27				139.5	0.50

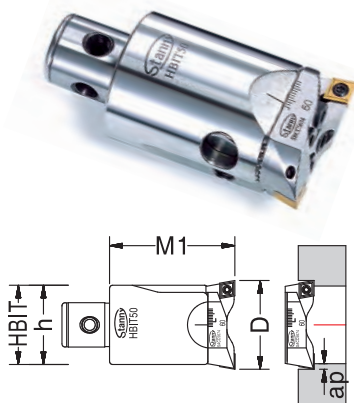
HBIT反搪孔壓板 Apron for HBIT Adjustable Single Cutter Roughing

訂貨編號 Order No.	規格 Model	系統 System	淨重 N.W.
30002525	apr25	HBIT25	0.01
30003232	apr32	HBIT32	0.01
30004040	apr40	HBIT40	0.02
30005050	apr50	HBIT50	0.04
30006363	apr63	HBIT63	0.07
30008080	apr80	HBIT80 HBIT80E	0.09
30012012	apr120	HBIT120	0.24



等高粗搪頭系統組合(雙刃等高切削相同直徑)

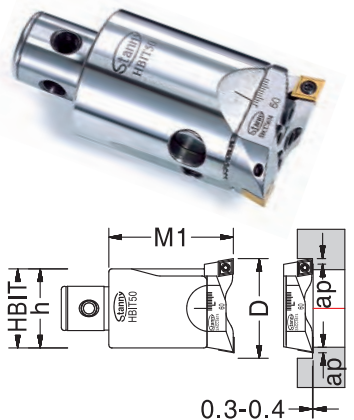
SACC and SACC Cutting Insert Holders have the same Cutting Diameter and Height.



訂貨編號 Order No.	規格 Model	範圍 D Boring Range øDMin-øDMax	M1	h	粗搪孔刀本體 Boring Head	粗搪孔刀座 Cutting Insert Holder	淨重 N.W.	
32290000AA	HBIT25 AA	29-36	50	25	HBIT25	SACC2936	SACC2936	0.17
32350000AA	HBIT25 AA	35-42				SACC3542	SACC3542	0.19
33360000AA	HBIT32 AA	36-45	63	32	HBIT32	SACC3645	SACC3645	0.37
33440000AA	HBIT32 AA	44-53				SACC4453	SACC4453	0.37
34450000AA	HBIT40 AA	45-56	50	40	HBIT40	SACC4556	SACC4556	0.56
34550000AA	HBIT40 AA	55-66				SACC5566	SACC5566	0.58
35560000AA	HBIT50 AA	56-74	80	50	HBIT50	SACC5674	SACC5674	1.10
35740000AA	HBIT50 AA	74-92				SACC7492	SACC7492	1.14
36700000AA	HBIT63 AA	70-90	63	63	HBIT63	SACC7090	SACC7090	1.78
36900000AA	HBIT63 AA	90-110				SACC90110	SACC90110	1.90
38900000AA	HBIT80 AA	90-130	82	80	HBIT80	SACC90130	SACC90130	2.30
38910000AA	HBIT80 AA	130-170				SACC130170	SACC130170	2.44
38920000AA	HBIT80 AA	170-210	80	80	HBIT80E	SACC170210	SACC170210	2.64
38900000EAA	HBIT80E AA	90-130				SACC90130	SACC90130	2.76
38910000EAA	HBIT80E AA	130-170	82	80	HBIT80E	SACC130170	SACC130170	2.90
38920000EAA	HBIT80E AA	170-210				SACC170210	SACC170210	3.10
39130000AA	HBIT120 AA	130-190	100	100	HBIT120	SACC130190	SACC130190	6.67
39170000AA	HBIT120 AA	170-230				SACC170230	SACC170230	6.89

不等高粗搪頭系統組合(雙刃不等高切削不同直徑)

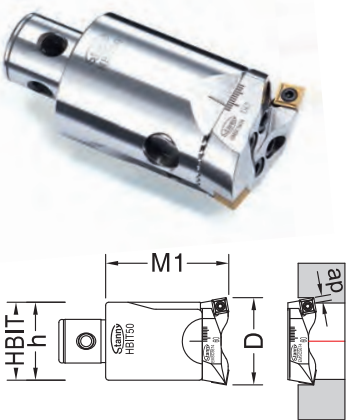
SACC and SBCC Cutting Insert Holders have different Cutting Diameter and Height.



訂貨編號 Order No.	規格 Model	範圍 D Boring Range øDMin-øDMax	M1	h	粗搪孔刀本體 Boring Head	粗搪孔刀座 Cutting Insert Holder	淨重 N.W.	
32290000AB	HBIT25 AB	29-36	50	25	HBIT25	SACC2936	SBCC2936	0.17
32350000AB	HBIT25 AB	35-42				SACC3542	SBCC3542	0.19
33360000AB	HBIT32 AB	36-45	63	32	HBIT32	SACC3645	SBCC3645	0.37
33440000AB	HBIT32 AB	44-53				SACC4453	SBCC4453	0.37
34450000AB	HBIT40 AB	45-56	50	40	HBIT40	SACC4556	SBCC4556	0.56
34550000AB	HBIT40 AB	55-66				SACC5566	SBCC5566	0.58
35560000AB	HBIT50 AB	56-74	80	50	HBIT50	SACC5674	SBCC5674	1.10
35740000AB	HBIT50 AB	74-92				SACC7492	SBCC7492	1.14
36700000AB	HBIT63 AB	70-90	63	63	HBIT63	SACC7090	SBCC7090	1.78
36900000AB	HBIT63 AB	90-110				SACC90110	SBCC90110	1.90
38900000AB	HBIT80 AB	90-130	82	80	HBIT80	SACC90130	SBCC90130	2.30
38910000AB	HBIT80 AB	130-170				SACC130170	SBCC130170	2.44
38920000AB	HBIT80 AB	170-210	80	80	HBIT80E	SACC170210	SBCC170210	2.63
38900000EAB	HBIT80E AB	90-130				SACC90130	SBCC90130	2.76
38910000EAB	HBIT80E AB	130-170	82	80	HBIT80E	SACC130170	SBCC130170	2.90
38920000EAB	HBIT80E AB	170-210				SACC170210	SBCC170210	3.09
39130000AB	HBIT120 AB	130-190	100	100	HBIT120	SACC130190	SBCC130190	6.66
39170000AB	HBIT120 AB	170-230				SACC170230	SBCC170230	6.88

80°等高粗搪頭系統組合(雙刃等高切削相同直徑)

EMSC and EMSC 80° Cutting Insert Holders have the same Cutting Diameter and Height.



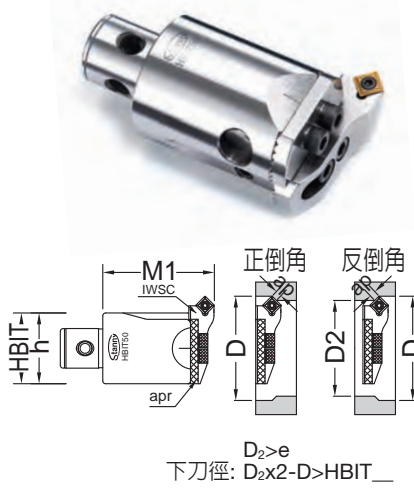
訂貨編號 Order No.	規格 Model	範圍 D Boring Range øDMin-øDMax	M1	h	粗搪孔刀本體 Boring Head	80° 粗搪孔刀座 80° Cutting Insert Holder	淨重 N.W.	
32290000MM	HBIT25 MM	29-36	50	25	HBIT25	EMSC2936	EMSC2936	0.17
32350000MM	HBIT25 MM	35-42				EMSC3542	EMSC3542	0.17
33360000MM	HBIT32 MM	36-45	63	32	HBIT32	EMSC3645	EMSC3645	0.35
33440000MM	HBIT32 MM	44-53				EMSC4453	EMSC4453	0.37
34450000MM	HBIT40 MM	45-56	50	40	HBIT40	EMSC4556	EMSC4556	0.54
34550000MM	HBIT40 MM	55-66				EMSC5566	EMSC5566	0.56
35560000MM	HBIT50 MM	56-74	80	50	HBIT50	EMSC5674	EMSC5674	1.08
35740000MM	HBIT50 MM	74-92				EMSC7492	EMSC7492	1.14
36700000MM	HBIT63 MM	70-90	63	63	HBIT63	EMSC7090	EMSC7090	1.78
36900000MM	HBIT63 MM	90-110				EMSC90110	EMSC90110	1.90
38900000MM	HBIT80 MM	90-130	82	80	HBIT80	EMSC90130	EMSC90130	2.30
38910000MM	HBIT80 MM	130-170				EMSC130170	EMSC130170	2.42
38900000EMM	HBIT80E MM	90-130	80	80	HBIT80E	EMSC90130	EMSC90130	2.76
38910000EMM	HBIT80E MM	130-170				EMSC130170	EMSC130170	2.88
39130000MM	HBIT120 MM	130-190	100	100	HBIT120	EMSC130190	EMSC130190	6.67
39170000MM	HBIT120 MM	170-230				EMSC170230	EMSC170230	6.89

HBIT

粗搪孔刀本體、45°正反倒角粗搪孔刀座 Body and 45° Chamfer Cutting Insert Holder 粗搪孔刀本體、粗搪孔反搪刀座 Body and Reverse Cutting Insert Holder

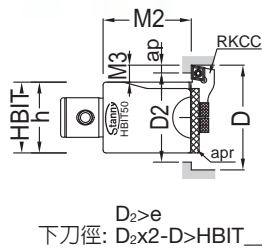
45°正反倒角粗搪頭系統組合 Body and 45° Chamfer Cutting Insert Holder

訂貨編號 Order No.	規格 Model	範圍 D Boring Range øDMin-øDMax	M1	h	粗搪孔刀本體 Boring Head	45°正反倒角刀座 45° Chamfer Cutting Insert Holder	壓板 Apron	淨重 N.W.
32290000AW	HBIT25 AW	29-36	50	25	HBIT25	IWSC2936	apr25	0.17
32350000AW	HBIT25 AW	35-42				IWSC3542		0.17
33360000AW	HBIT32 AW	36-45	63	32	HBIT32	IWSC3645	apr32	0.35
33440000AW	HBIT32 AW	44-53				IWSC4453		0.36
34450000AW	HBIT40 AW	45-56	80	40	HBIT40	IWSC4556	apr40	0.53
34550000AW	HBIT40 AW	55-66				IWSC5566		0.54
35560000AW	HBIT50 AW	56-74	100	50	HBIT50	IWSC5674	apr50	1.06
35740000AW	HBIT50 AW	74-92				IWSC7492		1.09
36700000AW	HBIT63 AW	70-90	80	63	HBIT63	IWSC7090	apr63	1.72
36900000AW	HBIT63 AW	90-110				IWSC90110		1.78
38900000AW	HBIT80 AW	90-130	100	80	HBIT80	IWSC90130	apr80	2.21
38910000AW	HBIT80 AW	130-170				IWSC130170		2.27
38900000EAW	HBIT80E AW	90-130	80	80	HBIT80E	IWSC90130	apr80	2.67
38910000EAW	HBIT80E AW	130-170				IWSC130170		2.73
39130000AW	HBIT120 AW	130-190	100	100	HBIT120	IWSC130190	apr120	6.48
39170000AW	HBIT120 AW	170-230				IWSC170230		6.59



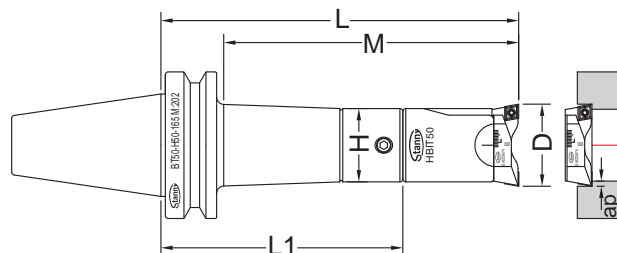
粗搪反搪孔頭系統組合 Body and Reverse Cutting Insert Holder

訂貨編號 Order No.	規格 Model	範圍 D Boring Range øDMin-øDMax	M3	M2	h	粗搪孔刀本體 Boring Head	粗搪孔反搪刀座 Reverse Cutting Insert Holder	壓板 Apron	淨重 N.W.
32290000AK	HBIT25 AK	29-36	2-5	40	25	HBIT25	RKCC2936	apr25	0.17
32350000AK	HBIT25 AK	35-42	5-8				RKCC3542		0.18
33360000AK	HBIT32 AK	36-45	2-6	50	32	HBIT32	RKCC3645	apr32	0.36
33440000AK	HBIT32 AK	44-53	6-10				RKCC4453		0.36
34450000AK	HBIT40 AK	45-56	2-8	48	40	HBIT40	RKCC4556	apr40	0.54
34550000AK	HBIT40 AK	55-66	7-13				RKCC5566		0.55
35560000AK	HBIT50 AK	56-74	3-12	62	50	HBIT50	RKCC5674	apr50	1.07
35740000AK	HBIT50 AK	74-92	12-21				RKCC7492		1.09
35750000AK	HBIT50 AK	92-110	21-30	58	63	HBIT63	RKCC92110	apr63	1.13
35760000AK	HBIT50 AK	110-128	30-39				RKCC110128		1.15
35770000AK	HBIT50 AK	128-146	39-48	73	100	HBIT120	RKCC128146	apr120	1.17
36700000AK	HBIT63 AK	70-90	3-13				RKCC7090		1.74
36900000AK	HBIT63 AK	90-110	13-23	58	63	HBIT63	RKCC90110	apr63	1.79
36910000AK	HBIT63 AK	110-130	23-33				RKCC110130		1.85
36920000AK	HBIT63 AK	130-150	33-43	58	80	HBIT80E	RKCC130150	apr80	1.89
36930000AK	HBIT63 AK	150-170	43-53				RKCC150170		1.94
38900000AK	HBIT80 AK	90-130	5-25	73	100	HBIT120	RKCC90130	apr120	2.23
38910000AK	HBIT80 AK	130-170	25-45				RKCC130170		2.30
38920000AK	HBIT80 AK	170-210	45-65	58	80	HBIT80E	RKCC170210	apr80	2.41
38900000EAK	HBIT80E AK	90-130	5-25				RKCC90130		2.69
38910000EAK	HBIT80E AK	130-170	25-45	73	100	HBIT120	RKCC130170	apr120	2.70
38920000EAK	HBIT80E AK	170-210	45-65				RKCC170210		2.87
39130000AK	HBIT120 AK	130-190	5-35	73	100	HBIT120	RKCC130190	apr120	6.49
39170000AK	HBIT120 AK	170-230	25-55				RKCC170230		6.59



HBIT**雙刃粗搪孔刀-AA type****Adjustable Twin Cutter Roughing and Semi-Finishing Boring System**

搪孔刀柄、粗搪孔刀本體、粗搪孔刀座 Taper Shank, Body and Cutting Insert Holder

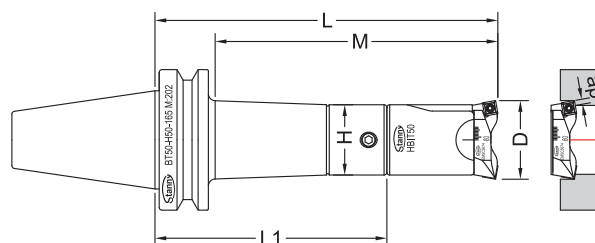
**整支 SET****MAS403 BT-HBIT 雙刃粗搪孔刀-AA type****MAS403 BT and HBIT Adjustable Twin Cutter Boring Head-AA type**

訂貨編號 Order No.	規格 Model	範圍 D Boring Range øDMin-øDMax	M	L	粗搪孔系統組合 Adjustable Twin Cutter Boring System				淨重 N.W.
					搪孔刀柄 Taper Shank	粗搪孔刀本體 Boring Head	粗搪孔刀座 Cutting Insert Holder		
32291406AA	BT40-HBIT25-60 AA	29-36	60	90	BT40-H25-40				1.17
32291409AA	BT40-HBIT25-90 AA	29-36	90	122	BT40-H25-72				1.29
32291412AA	BT40-HBIT25-123 AA	29-36	123	150	BT40-H25-100		SACC2936	SACC2936	1.41
32291414AA	BT40-HBIT25-145 AA	29-36	145	177	BT40-H25-127				1.55
32351406AA	BT40-HBIT25-60 AA	35-42	60	90	BT40-H25-40	HBIT25			1.19
32351409AA	BT40-HBIT25-90 AA	35-42	90	122	BT40-H25-72				1.31
32351412AA	BT40-HBIT25-123 AA	35-42	123	150	BT40-H25-100		SACC3542	SACC3542	1.43
32351414AA	BT40-HBIT25-145 AA	35-42	145	177	BT40-H25-127				1.57
33361407AA	BT40-HBIT32-75 AA	36-45	75	103	BT40-H32-40				1.37
33361410AA	BT40-HBIT32-102 AA	36-45	102	135	BT40-H32-72				1.57
33361415AA	BT40-HBIT32-150 AA	36-45	150	183	BT40-H32-120	HBIT32	SACC3645	SACC3645	1.92
33361416AA	BT40-HBIT32-165 AA	36-45	165	198	BT40-H32-135				2.03
33441407AA	BT40-HBIT32-75 AA	44-53	75	103	BT40-H32-40				1.37
33441410AA	BT40-HBIT32-102 AA	44-53	102	135	BT40-H32-72				1.57
33441415AA	BT40-HBIT32-150 AA	44-53	150	183	BT40-H32-120	SACC4453	SACC4453	1.92	
33441416AA	BT40-HBIT32-165 AA	44-53	165	198	BT40-H32-135			2.03	
34451407AA	BT40-HBIT40-73 AA	45-56	73	103	BT40-H40-40				1.61
34451410AA	BT40-HBIT40-102 AA	45-56	102	135	BT40-H40-72	HBIT40	SACC4556	SACC4556	1.87
34451416AA	BT40-HBIT40-162 AA	45-56	162	193	BT40-H40-130				2.51
34451421AA	BT40-HBIT40-212 AA	45-56	212	248	BT40-H40-185				3.08
34551407AA	BT40-HBIT40-73 AA	55-66	73	103	BT40-H40-40				1.63
34551410AA	BT40-HBIT40-102 AA	55-66	102	135	BT40-H40-72	SACC5566	SACC5566	SACC5566	1.89
34551416AA	BT40-HBIT40-162 AA	55-66	162	193	BT40-H40-130				2.53
34551421AA	BT40-HBIT40-212 AA	55-66	212	248	BT40-H40-185				3.10
35561410AA	BT40-HBIT50-102 AA	56-74	102	130	BT40-H50-50				2.25
35561414AA	BT40-HBIT50-142 AA	56-74	142	170	BT40-H50-90	SACC5674	SACC5674	SACC5674	2.82
35561418AA	BT40-HBIT50-182 AA	56-74	182	210	BT40-H50-130				3.30
35561422AA	BT40-HBIT50-222 AA	56-74	222	250	BT40-H50-170				4.17
35741410AA	BT40-HBIT50-102 AA	74-92	102	130	BT40-H50-50		HBIT50		
35741414AA	BT40-HBIT50-142 AA	74-92	142	170	BT40-H50-90				2.86
35741418AA	BT40-HBIT50-182 AA	74-92	182	210	BT40-H50-130	SACC7492		SACC7492	3.34
35741422AA	BT40-HBIT50-222 AA	74-92	222	250	BT40-H50-170				4.21
36701410AA	BT40-HBIT63-102 AA	70-90	102	135	BT40-H63-55				3.02
36701415AA	BT40-HBIT63-152 AA	70-90	152	185	BT40-H63-105	SACC7090	SACC7090	SACC7090	4.23
36701420AA	BT40-HBIT63-202 AA	70-90	202	235	BT40-H63-155				5.32
36901410AA	BT40-HBIT63-102 AA	90-110	102	135	BT40-H63-55				3.14
36901415AA	BT40-HBIT63-152 AA	90-110	152	185	BT40-H63-105		SACC90110	SACC90110	4.35
36901420AA	BT40-HBIT63-202 AA	90-110	202	235	BT40-H63-155			5.54	
38901410AA	BT40-HBIT80-102 AA	90-130	102	135	BT40-H63-55				3.54
38901415AA	BT40-HBIT80-152 AA	90-130	152	185	BT40-H63-105	SACC90130	SACC90130	SACC90130	4.75
38901420AA	BT40-HBIT80-202 AA	90-130	202	235	BT40-H63-155				5.84
38911410AA	BT40-HBIT80-102 AA	130-170	102	135	BT40-H63-55				3.68
38911415AA	BT40-HBIT80-152 AA	130-170	152	185	BT40-H63-105		SACC130170	SACC130170	SACC130170
38911420AA	BT40-HBIT80-202 AA	130-170	202	235	BT40-H63-155				5.98
38921410AA	BT40-HBIT80-102 AA	170-210	104	137	BT40-H63-55				3.88
38921415AA	BT40-HBIT80-152 AA	170-210	154	187	BT40-H63-105	SACC170210		SACC170210	SACC170210
38921420AA	BT40-HBIT80-202 AA	170-210	204	237	BT40-H63-155				6.18

訂貨編號 Order No.	規 格 Model	範 圍 D Boring Range øDMin-øDMax	M	L	粗搪孔系統組合 Adjustable Twin Cutter Boring System				淨 重 N.W.
					搪孔刀柄 Taper Shank	粗搪孔刀本體 Boring Head	粗搪孔刀座 Cutting Insert Holder		
32291510AA	BT50-HBIT25-102	AA 29-36	102	165	BT50-H25-115	HBIT25	SACC2936	SACC2936	4.32
32291512AA	BT50-HBIT25-127	AA 29-36	127	190	BT50-H25-140				4.47
32291515AA	BT50-HBIT25-152	AA 29-36	152	215	BT50-H25-165				4.57
32351510AA	BT50-HBIT25-102	AA 35-42	102	165	BT50-H25-115				4.34
32351512AA	BT50-HBIT25-127	AA 35-42	127	190	BT50-H25-140				4.49
32351515AA	BT50-HBIT25-152	AA 35-42	152	215	BT50-H25-165	4.59			
33361513AA	BT50-HBIT32-135	AA 36-45	135	198	BT50-H32-135	HBIT32	SACC3645	SACC3645	4.92
33361516AA	BT50-HBIT32-165	AA 36-45	165	228	BT50-H32-165				5.17
33361520AA	BT50-HBIT32-200	AA 36-45	200	263	BT50-H32-200				5.37
33441513AA	BT50-HBIT32-135	AA 44-53	135	198	BT50-H32-135				4.92
33441516AA	BT50-HBIT32-165	AA 44-53	165	228	BT50-H32-165				5.17
33441520AA	BT50-HBIT32-200	AA 44-53	200	263	BT50-H32-200	5.37			
34451513AA	BT50-HBIT40-135	AA 45-56	135	198	BT50-H40-135	HBIT40	SACC4556	SACC4556	5.46
34451518AA	BT50-HBIT40-185	AA 45-56	185	248	BT50-H40-185				6.01
34451522AA	BT50-HBIT40-225	AA 45-56	225	288	BT50-H40-225				6.46
34451526AA	BT50-HBIT40-265	AA 45-56	265	328	BT50-H40-265				6.86
34551513AA	BT50-HBIT40-135	AA 55-66	135	198	BT50-H40-135				5.48
34551518AA	BT50-HBIT40-185	AA 55-66	185	248	BT50-H40-185	6.03			
34551522AA	BT50-HBIT40-225	AA 55-66	225	288	BT50-H40-225	6.48			
34551526AA	BT50-HBIT40-265	AA 55-66	265	328	BT50-H40-265	6.88			
35561510AA	BT50-HBIT50-102	AA 56-74	102	145	BT50-H50-65	HBIT50	SACC5674	SACC5674	4.90
35561520AA	BT50-HBIT50-202	AA 56-74	202	245	BT50-H50-165				6.45
35561525AA	BT50-HBIT50-252	AA 56-74	252	295	BT50-H50-215				7.40
35561530AA	BT50-HBIT50-302	AA 56-74	302	345	BT50-H50-265				8.30
35741510AA	BT50-HBIT50-102	AA 74-92	102	145	BT50-H50-65				4.94
35741520AA	BT50-HBIT50-202	AA 74-92	202	245	BT50-H50-165	6.49			
35741525AA	BT50-HBIT50-252	AA 74-92	252	295	BT50-H50-215	7.44			
35741530AA	BT50-HBIT50-302	AA 74-92	302	345	BT50-H50-265	8.34			
36701512AA	BT50-HBIT63-122	AA 70-90	122	165	BT50-H63-85	HBIT63	SACC7090	SACC7090	6.08
36701520AA	BT50-HBIT63-202	AA 70-90	202	245	BT50-H63-165				7.98
36701525AA	BT50-HBIT63-252	AA 70-90	252	295	BT50-H63-215				9.53
36701530AA	BT50-HBIT63-302	AA 70-90	302	345	BT50-H63-265				10.48
36701535AA	BT50-HBIT63-352	AA 70-90	352	395	BT50-H63-315				13.73
36901512AA	BT50-HBIT63-122	AA 90-110	122	165	BT50-H63-85	HBIT63	SACC90110	SACC90110	6.20
36901520AA	BT50-HBIT63-202	AA 90-110	202	245	BT50-H63-165				8.10
36901525AA	BT50-HBIT63-252	AA 90-110	252	295	BT50-H63-215				9.65
36901530AA	BT50-HBIT63-302	AA 90-110	302	345	BT50-H63-265				10.60
36901535AA	BT50-HBIT63-352	AA 90-110	352	395	BT50-H63-315				13.85
38901512AA	BT50-HBIT80-122	AA 90-130	122	165	BT50-H63-85	HBIT80	SACC90130	SACC90130	6.60
38901520AA	BT50-HBIT80-202	AA 90-130	202	245	BT50-H63-165				8.50
38901525AA	BT50-HBIT80-252	AA 90-130	252	295	BT50-H63-215				10.05
38901530AA	BT50-HBIT80-302	AA 90-130	302	345	BT50-H63-265				11.00
38901535AA	BT50-HBIT80-352	AA 90-130	352	395	BT50-H63-315				14.25
38911512AA	BT50-HBIT80-122	AA 130-170	122	165	BT50-H63-85	HBIT80	SACC130170	SACC130170	6.74
38911520AA	BT50-HBIT80-202	AA 130-170	202	245	BT50-H63-165				8.64
38911525AA	BT50-HBIT80-252	AA 130-170	252	295	BT50-H63-215				10.19
38911530AA	BT50-HBIT80-302	AA 130-170	302	345	BT50-H63-265				11.14
38911535AA	BT50-HBIT80-352	AA 130-170	352	395	BT50-H63-315				14.39
38921512AA	BT50-HBIT80-122	AA 170-210	124	167	BT50-H63-85	HBIT80E	SACC170210	SACC170210	6.94
38921520AA	BT50-HBIT80-202	AA 170-210	204	247	BT50-H63-165				8.84
38921525AA	BT50-HBIT80-252	AA 170-210	254	297	BT50-H63-215				10.39
38921530AA	BT50-HBIT80-302	AA 170-210	304	347	BT50-H63-265				11.34
38921535AA	BT50-HBIT80-352	AA 170-210	354	397	BT50-H63-315				14.59
38901510EAA	BT50-HBIT80E-102	AA 90-130	102	150	BT50-H80-70	HBIT80E	SACC90130	SACC90130	6.76
38901515EAA	BT50-HBIT80E-152	AA 90-130	152	195	BT50-H80-115				8.31
38901520EAA	BT50-HBIT80E-202	AA 90-130	202	245	BT50-H80-165				10.01
38901525EAA	BT50-HBIT80E-252	AA 90-130	252	295	BT50-H80-215				11.76
38901530EAA	BT50-HBIT80E-302	AA 90-130	302	345	BT50-H80-265				13.51
38901535EAA	BT50-HBIT80E-352	AA 90-130	352	395	BT50-H80-315	15.21			
38911510EAA	BT50-HBIT80E-102	AA 130-170	102	150	BT50-H80-70	HBIT80E	SACC130170	SACC130170	6.88
38911515EAA	BT50-HBIT80E-152	AA 130-170	152	195	BT50-H80-115				8.43
38911520EAA	BT50-HBIT80E-202	AA 130-170	202	245	BT50-H80-165				10.13
38911525EAA	BT50-HBIT80E-252	AA 130-170	252	295	BT50-H80-215				11.88
38911530EAA	BT50-HBIT80E-302	AA 130-170	302	345	BT50-H80-265				13.63
38911535EAA	BT50-HBIT80E-352	AA 130-170	352	395	BT50-H80-315	15.33			
38921510EAA	BT50-HBIT80E-102	AA 170-210	104	157	BT50-H80-70	HBIT120	SACC170210	SACC170210	7.08
38921515EAA	BT50-HBIT80E-152	AA 170-210	154	197	BT50-H80-115				8.63
38921520EAA	BT50-HBIT80E-202	AA 170-210	204	247	BT50-H80-165				10.33
38921525EAA	BT50-HBIT80E-252	AA 170-210	254	297	BT50-H80-215				12.08
38921530EAA	BT50-HBIT80E-302	AA 170-210	304	347	BT50-H80-265				13.83
38921535EAA	BT50-HBIT80E-352	AA 170-210	354	397	BT50-H80-315	15.53			
39131515AA	BT50-HBIT120-150	AA 130-190	150	200	BT50-H100-100	HBIT120	SACC130190	SACC130190	12.62
39131520AA	BT50-HBIT120-200	AA 130-190	200	250	BT50-H100-150				15.27
39131525AA	BT50-HBIT120-250	AA 130-190	250	300	BT50-H100-200				18.22
39131530AA	BT50-HBIT120-300	AA 130-190	300	350	BT50-H100-250				21.17
39171515AA	BT50-HBIT120-150	AA 170-230	150	200	BT50-H100-100				12.84
39171520AA	BT50-HBIT120-200	AA 170-230	200	250	BT50-H100-150	15.49			
39171525AA	BT50-HBIT120-250	AA 170-230	250	300	BT50-H100-200	18.44			
39171530AA	BT50-HBIT120-300	AA 170-230	300	350	BT50-H100-250	21.39			

HBIT**雙刃粗搪孔刀-80° MM type****Adjustable Twin Cutter Roughing and Semi-Finishing Boring System**

搪孔刀柄、粗搪孔刀本體、80°粗搪孔刀座 Taper Shank, Body and 80° Cutting Insert Holder

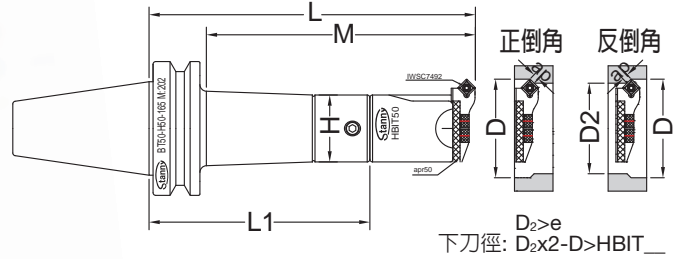
**整支 SET****MAS403 BT-HBIT 80°雙刃粗搪孔刀-MM type****MAS403 BT and HBIT Adjustable Twin Cutter Boring Head-MM type**

訂貨編號 Order No.	規格 Model	範圍 D Boring Range øDMin-øDMax	M	L	粗搪孔系統組合 Adjustable Twin Cutter Boring System			淨重 N.W.
					搪孔刀柄 Taper Shank	粗搪孔刀本體 Boring Head	80°粗搪孔刀座 80° Cutting Insert Holder	
32291406MM	BT40-HBIT25-60	MM 29-36	60	90	BT40-H25-40			1.17
32291409MM	BT40-HBIT25-90	MM 29-36	90	122	BT40-H25-72			1.29
32291412MM	BT40-HBIT25-123	MM 29-36	123	150	BT40-H25-100		EMSC2936	1.41
32291414MM	BT40-HBIT25-145	MM 29-36	145	177	BT40-H25-127		EMSC2936	1.55
32351406MM	BT40-HBIT25-60	MM 35-42	60	90	BT40-H25-40	HBIT25		1.19
32351409MM	BT40-HBIT25-90	MM 35-42	90	122	BT40-H25-72			1.31
32351412MM	BT40-HBIT25-123	MM 35-42	123	150	BT40-H25-100		EMSC3542	1.43
32351414MM	BT40-HBIT25-145	MM 35-42	145	177	BT40-H25-127		EMSC3542	1.57
33361407MM	BT40-HBIT32-75	MM 36-45	75	103	BT40-H32-40			1.37
33361410MM	BT40-HBIT32-102	MM 36-45	102	135	BT40-H32-72			1.57
33361415MM	BT40-HBIT32-150	MM 36-45	150	183	BT40-H32-120		EMSC3645	1.92
33361416MM	BT40-HBIT32-165	MM 36-45	165	198	BT40-H32-135	HBIT32	EMSC3645	2.03
33441407MM	BT40-HBIT32-75	MM 44-53	75	103	BT40-H32-40			1.37
33441410MM	BT40-HBIT32-102	MM 44-53	102	135	BT40-H32-72			1.57
33441415MM	BT40-HBIT32-150	MM 44-53	150	183	BT40-H32-120		EMSC4453	1.92
33441416MM	BT40-HBIT32-165	MM 44-53	165	198	BT40-H32-135		EMSC4453	2.03
34451407MM	BT40-HBIT40-73	MM 45-56	73	103	BT40-H40-40			1.61
34451410MM	BT40-HBIT40-102	MM 45-56	102	135	BT40-H40-72			1.87
34451416MM	BT40-HBIT40-162	MM 45-56	162	193	BT40-H40-130		EMSC4556	2.51
34451421MM	BT40-HBIT40-212	MM 45-56	212	248	BT40-H40-185	HBIT40	EMSC4556	3.08
34551407MM	BT40-HBIT40-73	MM 55-66	73	103	BT40-H40-40			1.63
34551410MM	BT40-HBIT40-102	MM 55-66	102	135	BT40-H40-72			1.89
34551416MM	BT40-HBIT40-162	MM 55-66	162	193	BT40-H40-130		EMSC5566	2.53
34551421MM	BT40-HBIT40-212	MM 55-66	212	248	BT40-H40-185		EMSC5566	3.10
35561410MM	BT40-HBIT50-102	MM 56-74	102	130	BT40-H50-50			2.25
35561414MM	BT40-HBIT50-142	MM 56-74	142	170	BT40-H50-90			2.82
35561418MM	BT40-HBIT50-182	MM 56-74	182	210	BT40-H50-130		EMSC5674	3.30
35561422MM	BT40-HBIT50-222	MM 56-74	222	250	BT40-H50-170	HBIT50	EMSC5674	4.17
35741410MM	BT40-HBIT50-102	MM 74-92	102	130	BT40-H50-50			2.29
35741414MM	BT40-HBIT50-142	MM 74-92	142	170	BT40-H50-90			2.86
35741418MM	BT40-HBIT50-182	MM 74-92	182	210	BT40-H50-130		EMSC7492	3.34
35741422MM	BT40-HBIT50-222	MM 74-92	222	250	BT40-H50-170		EMSC7492	4.21
36701410MM	BT40-HBIT63-102	MM 70-90	102	135	BT40-H63-55			3.02
36701415MM	BT40-HBIT63-152	MM 70-90	152	185	BT40-H63-105		EMSC7090	4.23
36701420MM	BT40-HBIT63-202	MM 70-90	202	235	BT40-H63-155	HBIT63	EMSC7090	5.32
36901410MM	BT40-HBIT63-102	MM 90-110	102	135	BT40-H63-55			3.14
36901415MM	BT40-HBIT63-152	MM 90-110	152	185	BT40-H63-105		EMSC90110	4.35
36901420MM	BT40-HBIT63-202	MM 90-110	202	235	BT40-H63-155		EMSC90110	5.54
38901410MM	BT40-HBIT80-102	MM 90-130	102	135	BT40-H63-55			3.54
38901415MM	BT40-HBIT80-152	MM 90-130	152	185	BT40-H63-105		EMSC90130	4.75
38901420MM	BT40-HBIT80-202	MM 90-130	202	235	BT40-H63-155	HBIT80	EMSC90130	5.84
38911410MM	BT40-HBIT80-102	MM 130-170	102	135	BT40-H63-55			3.68
38911415MM	BT40-HBIT80-152	MM 130-170	152	185	BT40-H63-105		EMSC130170	4.89
38911420MM	BT40-HBIT80-202	MM 130-170	202	235	BT40-H63-155		EMSC130170	5.98

訂貨編號 Order No.	規格 Model	範圍 D Boring Range øDMin-øDMax	M	L	粗搪孔系統組合 Adjustable Twin Cutter Boring System			淨重 N.W.			
					搪孔刀柄 Taper Shank	粗搪孔刀本體 Boring Head	80°粗搪孔刀座 80° Cutting Insert Holder				
32291510MM	BT50-HBIT25-102	MM 29-36	102	165	BT50-H25-115	HBIT25	EMSC2936	EMSC2936	4.32		
32291512MM	BT50-HBIT25-127	MM 29-36	127	190	BT50-H25-140						4.47
32291515MM	BT50-HBIT25-152	MM 29-36	152	215	BT50-H25-165						4.57
32351510MM	BT50-HBIT25-102	MM 35-42	102	165	BT50-H25-115						4.32
32351512MM	BT50-HBIT25-127	MM 35-42	127	190	BT50-H25-140					EMSC3542	EMSC3542
32351515MM	BT50-HBIT25-152	MM 35-42	152	215	BT50-H25-165				4.57		
33361513MM	BT50-HBIT32-135	MM 36-45	135	198	BT50-H32-135	HBIT32	EMSC3645	EMSC3645	4.90		
33361516MM	BT50-HBIT32-165	MM 36-45	165	228	BT50-H32-165						5.15
33361520MM	BT50-HBIT32-200	MM 36-45	200	263	BT50-H32-200						5.35
33441513MM	BT50-HBIT32-135	MM 44-53	135	198	BT50-H32-135						4.92
33441516MM	BT50-HBIT32-165	MM 44-53	165	228	BT50-H32-165					EMSC4453	EMSC4453
33441520MM	BT50-HBIT32-200	MM 44-53	200	263	BT50-H32-200				5.37		
34451513MM	BT50-HBIT40-135	MM 45-56	135	198	BT50-H40-135	HBIT40	EMSC4556	EMSC4556	5.44		
34451518MM	BT50-HBIT40-185	MM 45-56	185	248	BT50-H40-185						5.99
34451522MM	BT50-HBIT40-225	MM 45-56	225	288	BT50-H40-225						6.44
34451526MM	BT50-HBIT40-265	MM 45-56	265	328	BT50-H40-265						6.84
34551513MM	BT50-HBIT40-135	MM 55-66	135	198	BT50-H40-135						5.46
34551518MM	BT50-HBIT40-185	MM 55-66	185	248	BT50-H40-185			6.01			
34551522MM	BT50-HBIT40-225	MM 55-66	225	288	BT50-H40-225		EMSC5566	EMSC5566	6.46		
34551526MM	BT50-HBIT40-265	MM 55-66	265	328	BT50-H40-265				6.86		
35561510MM	BT50-HBIT50-102	MM 56-74	102	145	BT50-H50-65	HBIT50	EMSC5674	EMSC5674	4.88		
35561520MM	BT50-HBIT50-202	MM 56-74	202	245	BT50-H50-165						6.43
35561525MM	BT50-HBIT50-252	MM 56-74	252	295	BT50-H50-215						7.38
35561530MM	BT50-HBIT50-302	MM 56-74	302	345	BT50-H50-265						8.28
35741510MM	BT50-HBIT50-102	MM 74-92	102	145	BT50-H50-65						4.94
35741520MM	BT50-HBIT50-202	MM 74-92	202	245	BT50-H50-165		EMSC7492	EMSC7492	6.49		
35741525MM	BT50-HBIT50-252	MM 74-92	252	295	BT50-H50-215				7.44		
35741530MM	BT50-HBIT50-302	MM 74-92	302	345	BT50-H50-265				8.34		
36701512MM	BT50-HBIT63-122	MM 70-90	122	165	BT50-H63-85	HBIT63	EMSC7090	EMSC7090	6.08		
36701520MM	BT50-HBIT63-202	MM 70-90	202	245	BT50-H63-165						7.98
36701525MM	BT50-HBIT63-252	MM 70-90	252	295	BT50-H63-215						9.53
36701530MM	BT50-HBIT63-302	MM 70-90	302	345	BT50-H63-265						10.48
36701535MM	BT50-HBIT63-352	MM 70-90	352	395	BT50-H63-315						13.73
36901512MM	BT50-HBIT63-122	MM 90-110	122	165	BT50-H63-85				6.20		
36901520MM	BT50-HBIT63-202	MM 90-110	202	245	BT50-H63-165				8.10		
36901525MM	BT50-HBIT63-252	MM 90-110	252	295	BT50-H63-215		EMSC90110	EMSC90110	9.65		
36901530MM	BT50-HBIT63-302	MM 90-110	302	345	BT50-H63-265				10.60		
36901535MM	BT50-HBIT63-352	MM 90-110	352	395	BT50-H63-315				13.85		
38901512MM	BT50-HBIT80-122	MM 90-130	122	165	BT50-H63-85	HBIT80	EMSC90130	EMSC90130	6.60		
38901520MM	BT50-HBIT80-202	MM 90-130	202	245	BT50-H63-165						8.50
38901525MM	BT50-HBIT80-252	MM 90-130	252	295	BT50-H63-215						10.05
38901530MM	BT50-HBIT80-302	MM 90-130	302	345	BT50-H63-265						11.00
38901535MM	BT50-HBIT80-352	MM 90-130	352	395	BT50-H63-315						14.25
38911512MM	BT50-HBIT80-122	MM 130-170	122	165	BT50-H63-85				6.72		
38911520MM	BT50-HBIT80-202	MM 130-170	202	245	BT50-H63-165				8.62		
38911525MM	BT50-HBIT80-252	MM 130-170	252	295	BT50-H63-215		EMSC130170	EMSC130170	10.17		
38911530MM	BT50-HBIT80-302	MM 130-170	302	345	BT50-H63-265				11.12		
38911535MM	BT50-HBIT80-352	MM 130-170	352	395	BT50-H63-315				14.37		
38901510EMM	BT50-HBIT80E-102	MM 90-130	102	150	BT50-H80-70	HBIT80E	EMSC90130	EMSC90130	6.76		
38901515EMM	BT50-HBIT80E-152	MM 90-130	152	195	BT50-H80-115						8.31
38901520EMM	BT50-HBIT80E-202	MM 90-130	202	245	BT50-H80-165						10.01
38901525EMM	BT50-HBIT80E-252	MM 90-130	252	295	BT50-H80-215						11.76
38901530EMM	BT50-HBIT80E-302	MM 90-130	302	345	BT50-H80-265						13.51
38901535EMM	BT50-HBIT80E-352	MM 90-130	352	395	BT50-H80-315			15.21			
38911510EMM	BT50-HBIT80E-102	MM 130-170	102	150	BT50-H80-70				6.88		
38911515EMM	BT50-HBIT80E-152	MM 130-170	152	195	BT50-H80-115				8.43		
38911520EMM	BT50-HBIT80E-202	MM 130-170	202	245	BT50-H80-165				10.13		
38911525EMM	BT50-HBIT80E-252	MM 130-170	252	295	BT50-H80-215		EMSC130170	EMSC130170	11.88		
38911530EMM	BT50-HBIT80E-302	MM 130-170	302	345	BT50-H80-265				13.63		
38911535EMM	BT50-HBIT80E-352	MM 130-170	352	395	BT50-H80-315				15.33		
39131515MM	BT50-HBIT120-150	MM 130-190	150	200	BT50-H100-100	HBIT120	EMSC130190	EMSC130190	12.62		
39131520MM	BT50-HBIT120-200	MM 130-190	200	250	BT50-H100-150						15.27
39131525MM	BT50-HBIT120-250	MM 130-190	250	300	BT50-H100-200						18.22
39131530MM	BT50-HBIT120-300	MM 130-190	300	350	BT50-H100-250						21.17
39171515MM	BT50-HBIT120-150	MM 170-230	150	200	BT50-H100-100						
39171520MM	BT50-HBIT120-200	MM 170-230	200	250	BT50-H100-150				15.49		
39171525MM	BT50-HBIT120-250	MM 170-230	250	300	BT50-H100-200		EMSC170230	EMSC170230	18.44		
39171530MM	BT50-HBIT120-300	MM 170-230	300	350	BT50-H100-250				21.39		

HBIT**粗搪孔刀-45°正反倒角-AW type****Adjustable Single Cutter Roughing and Semi-Finishing Boring System**

搪孔刀柄、粗搪孔刀本體、45°正反倒角搪孔刀座、反搪孔壓板 Taper Shank, Body, 45° Chamfer Cutting Insert Holder and Apron

**整支 SET****MAS403 BT-HBIT粗搪孔刀-45°正反倒角-AW type****MAS403 BT and HBIT Adjustable 45° Chamfer Cutter Boring Head AW-type**

訂貨編號 Order No.	規格 Model	範圍 D Boring Range øDMin-øDMax	M	L	粗搪孔系統組合 Adjustable Single Cutter Boring System				淨重 N.W.
					搪孔刀柄 Taper Shank	粗搪孔刀本體 Boring Head	45°正反倒角刀座 45° Chamfer Cutting Insert Holder	反搪孔壓板 Apron	
32291406AW	BT40-HBIT25-60	AW 29-36	60	90	BT40-H25-40				1.17
32291409AW	BT40-HBIT25-90	AW 29-36	90	122	BT40-H25-72				1.29
32291412AW	BT40-HBIT25-123	AW 29-36	123	150	BT40-H25-100				1.41
32291414AW	BT40-HBIT25-145	AW 29-36	145	177	BT40-H25-127				1.55
32351406AW	BT40-HBIT25-60	AW 35-42	60	90	BT40-H25-40	HBIT25		apr25	1.17
32351409AW	BT40-HBIT25-90	AW 35-42	90	122	BT40-H25-72		IWSC2936		1.29
32351412AW	BT40-HBIT25-123	AW 35-42	123	150	BT40-H25-100				1.41
32351414AW	BT40-HBIT25-145	AW 35-42	145	177	BT40-H25-127		IWSC3542		1.55
33361407AW	BT40-HBIT32-75	AW 36-45	75	103	BT40-H32-40				1.35
33361410AW	BT40-HBIT32-102	AW 36-45	102	135	BT40-H32-72				1.55
33361415AW	BT40-HBIT32-150	AW 36-45	150	183	BT40-H32-120		IWSC3645		1.90
33361416AW	BT40-HBIT32-165	AW 36-45	165	198	BT40-H32-135	HBIT32		apr32	2.01
33441407AW	BT40-HBIT32-75	AW 44-53	75	103	BT40-H32-40				1.36
33441410AW	BT40-HBIT32-102	AW 44-53	102	135	BT40-H32-72				1.56
33441415AW	BT40-HBIT32-150	AW 44-53	150	183	BT40-H32-120		IWSC4453		1.91
33441416AW	BT40-HBIT32-165	AW 44-53	165	198	BT40-H32-135				2.02
34451407AW	BT40-HBIT40-73	AW 45-56	73	103	BT40-H40-40				1.58
34451410AW	BT40-HBIT40-102	AW 45-56	102	135	BT40-H40-72				1.84
34451416AW	BT40-HBIT40-162	AW 45-56	162	193	BT40-H40-130		IWSC4556		2.48
34451421AW	BT40-HBIT40-212	AW 45-56	212	248	BT40-H40-185	HBIT40		apr40	3.05
34551407AW	BT40-HBIT40-73	AW 55-66	73	103	BT40-H40-40				1.59
34551410AW	BT40-HBIT40-102	AW 55-66	102	135	BT40-H40-72				1.85
34551416AW	BT40-HBIT40-162	AW 55-66	162	193	BT40-H40-130		IWSC5566		2.49
34551421AW	BT40-HBIT40-212	AW 55-66	212	248	BT40-H40-185				3.06
35561410AW	BT40-HBIT50-102	AW 56-74	102	130	BT40-H50-50				2.21
35561414AW	BT40-HBIT50-142	AW 56-74	142	170	BT40-H50-90				2.78
35561418AW	BT40-HBIT50-182	AW 56-74	182	210	BT40-H50-130		IWSC5674		3.26
35561422AW	BT40-HBIT50-222	AW 56-74	222	250	BT40-H50-170	HBIT50		apr50	4.13
35741410AW	BT40-HBIT50-102	AW 74-92	102	130	BT40-H50-50				2.27
35741414AW	BT40-HBIT50-142	AW 74-92	142	170	BT40-H50-90				2.84
35741418AW	BT40-HBIT50-182	AW 74-92	182	210	BT40-H50-130		IWSC7492		3.32
35741422AW	BT40-HBIT50-222	AW 74-92	222	250	BT40-H50-170				4.19
36701410AW	BT40-HBIT63-102	AW 70-90	102	135	BT40-H63-55				2.96
36701415AW	BT40-HBIT63-152	AW 70-90	152	185	BT40-H63-105				4.17
36701420AW	BT40-HBIT63-202	AW 70-90	202	235	BT40-H63-155	HBIT63	IWSC7090	apr63	5.26
36901410AW	BT40-HBIT63-102	AW 90-110	102	135	BT40-H63-55				3.02
36901415AW	BT40-HBIT63-152	AW 90-110	152	185	BT40-H63-105				4.23
36901420AW	BT40-HBIT63-202	AW 90-110	202	235	BT40-H63-155		IWSC90110		5.32
38901410AW	BT40-HBIT80-102	AW 90-130	102	135	BT40-H63-55				3.45
38901415AW	BT40-HBIT80-152	AW 90-130	152	185	BT40-H63-105				4.66
38901420AW	BT40-HBIT80-202	AW 90-130	202	235	BT40-H63-155	HBIT80	IWSC90130	apr80	5.75
38911410AW	BT40-HBIT80-102	AW 130-170	102	135	BT40-H63-55				3.51
38911415AW	BT40-HBIT80-152	AW 130-170	152	185	BT40-H63-105				4.72
38911420AW	BT40-HBIT80-202	AW 130-170	202	235	BT40-H63-155		IWSC130170		5.81

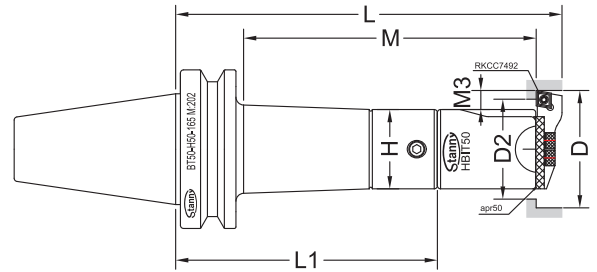
訂貨編號 Order No.	規格 Model	範圍 D Boring Range øDMin-øDMax	M	L	粗搪孔系統組合 Adjustable Single Cutter Boring System				淨重 N.W.
					搪孔刀柄 Taper Shank	粗搪孔刀本體 Boring Head	45°正反倒角刀座 45° Chamfer Cutting Insert Holder	反搪孔壓板 Apron	
32291510AW	BT50-HBIT25-102	AW 29-36	102	165	BT50-H25-115	HBIT25	IWSC2936	apr25	4.32
32291512AW	BT50-HBIT25-127	AW 29-36	127	190	BT50-H25-140				4.47
32291515AW	BT50-HBIT25-152	AW 29-36	152	215	BT50-H25-165				4.57
32351510AW	BT50-HBIT25-102	AW 35-42	102	165	BT50-H25-115				4.32
32351512AW	BT50-HBIT25-127	AW 35-42	127	190	BT50-H25-140	HBIT32	IWSC3542	apr32	4.47
32351515AW	BT50-HBIT25-152	AW 35-42	152	215	BT50-H25-165				4.57
33361513AW	BT50-HBIT32-135	AW 36-45	135	198	BT50-H32-135	HBIT32	IWSC3645	apr32	4.90
33361516AW	BT50-HBIT32-165	AW 36-45	165	228	BT50-H32-165				5.15
33361520AW	BT50-HBIT32-200	AW 36-45	200	263	BT50-H32-200				5.35
33441513AW	BT50-HBIT32-135	AW 44-53	135	198	BT50-H32-135				4.91
33441516AW	BT50-HBIT32-165	AW 44-53	165	228	BT50-H32-165	HBIT40	IWSC4453	apr40	5.16
33441520AW	BT50-HBIT32-200	AW 44-53	200	263	BT50-H32-200				5.36
34451513AW	BT50-HBIT40-135	AW 45-56	135	198	BT50-H40-135	HBIT40	IWSC4556	apr40	5.43
34451518AW	BT50-HBIT40-185	AW 45-56	185	248	BT50-H40-185				5.98
34451522AW	BT50-HBIT40-225	AW 45-56	225	288	BT50-H40-225				6.43
34451526AW	BT50-HBIT40-265	AW 45-56	265	328	BT50-H40-265				6.83
34551513AW	BT50-HBIT40-135	AW 55-66	135	198	BT50-H40-135	HBIT50	IWSC5566	apr50	5.44
34551518AW	BT50-HBIT40-185	AW 55-66	185	248	BT50-H40-185				5.99
34551522AW	BT50-HBIT40-225	AW 55-66	225	288	BT50-H40-225				6.44
34551526AW	BT50-HBIT40-265	AW 55-66	265	328	BT50-H40-265				6.84
35561510AW	BT50-HBIT50-102	AW 56-74	102	145	BT50-H50-65	HBIT50	IWSC5674	apr50	4.86
35561520AW	BT50-HBIT50-202	AW 56-74	202	245	BT50-H50-165				6.41
35561525AW	BT50-HBIT50-252	AW 56-74	252	295	BT50-H50-215				7.36
35561530AW	BT50-HBIT50-302	AW 56-74	302	345	BT50-H50-265				8.26
35741510AW	BT50-HBIT50-102	AW 74-92	102	145	BT50-H50-65	HBIT63	IWSC7492	apr63	4.89
35741520AW	BT50-HBIT50-202	AW 74-92	202	245	BT50-H50-165				6.44
35741525AW	BT50-HBIT50-252	AW 74-92	252	295	BT50-H50-215				7.39
35741530AW	BT50-HBIT50-302	AW 74-92	302	345	BT50-H50-265				8.29
36701512AW	BT50-HBIT63-122	AW 70-90	122	165	BT50-H63-85	HBIT63	IWSC7090	apr63	6.02
36701520AW	BT50-HBIT63-202	AW 70-90	202	245	BT50-H63-165				7.92
36701525AW	BT50-HBIT63-252	AW 70-90	252	295	BT50-H63-215				9.47
36701530AW	BT50-HBIT63-302	AW 70-90	302	345	BT50-H63-265				10.42
36701535AW	BT50-HBIT63-352	AW 70-90	352	395	BT50-H63-315	HBIT80	IWSC90110	apr80	13.67
36901512AW	BT50-HBIT63-122	AW 90-110	122	165	BT50-H63-85				6.08
36901520AW	BT50-HBIT63-202	AW 90-110	202	245	BT50-H63-165				7.98
36901525AW	BT50-HBIT63-252	AW 90-110	252	295	BT50-H63-215				9.53
36901530AW	BT50-HBIT63-302	AW 90-110	302	345	BT50-H63-265	HBIT80	IWSC90130	apr80	10.48
36901535AW	BT50-HBIT63-352	AW 90-110	352	395	BT50-H63-315				13.73
38901512AW	BT50-HBIT80-122	AW 90-130	122	165	BT50-H63-85				6.51
38901520AW	BT50-HBIT80-202	AW 90-130	202	245	BT50-H63-165				8.41
38901525AW	BT50-HBIT80-252	AW 90-130	252	295	BT50-H63-215	HBIT80E	IWSC90130	apr80	9.96
38901530AW	BT50-HBIT80-302	AW 90-130	302	345	BT50-H63-265				10.91
38901535AW	BT50-HBIT80-352	AW 90-130	352	395	BT50-H63-315				14.16
38911512AW	BT50-HBIT80-122	AW 130-170	122	165	BT50-H63-85				6.57
38911520AW	BT50-HBIT80-202	AW 130-170	202	245	BT50-H63-165	HBIT120	IWSC130170	apr120	8.47
38911525AW	BT50-HBIT80-252	AW 130-170	252	295	BT50-H63-215				10.02
38911530AW	BT50-HBIT80-302	AW 130-170	302	345	BT50-H63-265				10.97
38911535AW	BT50-HBIT80-352	AW 130-170	352	395	BT50-H63-315				14.22
38901510EAW	BT50-HBIT80E-102	AW 90-130	102	150	BT50-H80-70	HBIT80E	IWSC90130	apr80	6.67
38901515EAW	BT50-HBIT80E-152	AW 90-130	152	195	BT50-H80-115				8.22
38901520EAW	BT50-HBIT80E-202	AW 90-130	202	245	BT50-H80-165				9.92
38901525EAW	BT50-HBIT80E-252	AW 90-130	252	295	BT50-H80-215				11.67
38901530EAW	BT50-HBIT80E-302	AW 90-130	302	345	BT50-H80-265	HBIT120	IWSC90130	apr80	13.42
38901535EAW	BT50-HBIT80E-352	AW 90-130	352	395	BT50-H80-315				15.12
38911510EAW	BT50-HBIT80E-102	AW 130-170	102	150	BT50-H80-70				6.73
38911515EAW	BT50-HBIT80E-152	AW 130-170	152	195	BT50-H80-115				8.28
38911520EAW	BT50-HBIT80E-202	AW 130-170	202	245	BT50-H80-165	HBIT120	IWSC130170	apr120	9.98
38911525EAW	BT50-HBIT80E-252	AW 130-170	252	295	BT50-H80-215				11.73
38911530EAW	BT50-HBIT80E-302	AW 130-170	302	345	BT50-H80-265				13.48
38911535EAW	BT50-HBIT80E-352	AW 130-170	352	395	BT50-H80-315				15.18
39131515AW	BT50-HBIT120-150	AW 130-190	150	200	BT50-H100-100	HBIT120	IWSC130190	apr120	12.43
39131520AW	BT50-HBIT120-200	AW 130-190	200	250	BT50-H100-150				15.08
39131525AW	BT50-HBIT120-250	AW 130-190	250	300	BT50-H100-200				18.03
39131530AW	BT50-HBIT120-300	AW 130-190	300	350	BT50-H100-250				20.98
39171515AW	BT50-HBIT120-150	AW 170-230	150	200	BT50-H100-100	HBIT120	IWSC170230	apr120	12.54
39171520AW	BT50-HBIT120-200	AW 170-230	200	250	BT50-H100-150				15.19
39171525AW	BT50-HBIT120-250	AW 170-230	250	300	BT50-H100-200				18.14
39171530AW	BT50-HBIT120-300	AW 170-230	300	350	BT50-H100-250				21.09

HBIT**粗搪孔刀—反搪-AK type****Adjustable Single Cutter for Reverse Roughing and Semi-Finishing Boring System**

搪孔刀柄、粗搪孔刀本體、粗搪孔反搪刀座、反搪孔壓板 Taper Shank, Body, Reverse Cutting Insert Holder and Apron

**整支 SET****MAS403 BT-HBIT 粗搪孔刀—反搪-AK type****MAS403 BT and HBIT Adjustable Single Reverse Cutter Boring Head**

訂貨編號 Order No.	規格 Model	範圍 D Boring Range øDMin-øDMax	M3	M	L	粗搪孔反搪系統組合 Adjustable Single Reverse Cutter Boring System				淨重 N.W.
						搪孔刀柄 Taper Shank	粗搪孔刀本體 Boring Head	粗搪孔反搪刀座 Reverse Cutting Insert Holder	反搪孔壓板 Apron	
32291404AK	BT40-HBIT25-48 AK	29-36	2-5	48	91	BT40-H25-40	HBIT25	RKCC2936	apr25	1.17
32291408AK	BT40-HBIT25-82 AK	29-36	2-5	82	123	BT40-H25-72				1.29
32291411AK	BT40-HBIT25-111 AK	29-36	2-5	111	151	BT40-H25-100				1.41
32291413AK	BT40-HBIT25-138 AK	29-36	2-5	138	178	BT40-H25-127				1.55
32351404AK	BT40-HBIT25-48 AK	35-42	5-8	48	91	BT40-H25-40				1.18
32351408AK	BT40-HBIT25-82 AK	35-42	5-8	82	123	BT40-H25-72		1.30		
32351411AK	BT40-HBIT25-111 AK	35-42	5-8	111	151	BT40-H25-100		1.42		
32351413AK	BT40-HBIT25-138 AK	35-42	5-8	138	178	BT40-H25-127		1.56		
33361405AK	BT40-HBIT32-58 AK	36-45	2-6	58	101	BT40-H32-40		HBIT32	apr32	1.36
33361409AK	BT40-HBIT32-91 AK	36-45	2-6	91	133	BT40-H32-72				1.56
33361413AK	BT40-HBIT32-139 AK	36-45	2-6	139	181	BT40-H32-120	1.91			
33361415AK	BT40-HBIT32-154 AK	36-45	2-6	154	196	BT40-H32-135	2.02			
33441405AK	BT40-HBIT32-58 AK	44-53	6-10	58	101	BT40-H32-40	1.36			
33441409AK	BT40-HBIT32-91 AK	44-53	6-10	91	133	BT40-H32-72	1.56			
33441413AK	BT40-HBIT32-138 AK	44-53	6-10	138	181	BT40-H32-120	1.91			
33441415AK	BT40-HBIT32-154 AK	44-53	6-10	154	196	BT40-H32-135	2.02			
34451405AK	BT40-HBIT40-59 AK	45-56	2-8	59	103	BT40-H40-40	HBIT40	apr40	1.59	
34451409AK	BT40-HBIT40-90 AK	45-56	2-8	90	135	BT40-H40-72			1.85	
34451414AK	BT40-HBIT40-147 AK	45-56	2-8	147	193	BT40-H40-130			2.49	
34451420AK	BT40-HBIT40-202 AK	45-56	2-8	202	248	BT40-H40-185			3.06	
34551405AK	BT40-HBIT40-59 AK	55-66	7-13	59	103	BT40-H40-40			1.60	
34551409AK	BT40-HBIT40-90 AK	55-66	7-13	90	135	BT40-H40-72			1.86	
34551414AK	BT40-HBIT40-147 AK	55-66	7-13	147	193	BT40-H40-130			2.50	
34551420AK	BT40-HBIT40-202 AK	55-66	7-13	202	248	BT40-H40-185	3.07			
35561408AK	BT40-HBIT50-84 AK	56-74	3-12	84	129	BT40-H50-50	HBIT50	apr50	2.22	
35561412AK	BT40-HBIT50-122 AK	56-74	3-12	122	169	BT40-H50-90			2.79	
35561416AK	BT40-HBIT50-162 AK	56-74	3-12	162	209	BT40-H50-130			3.27	
35561420AK	BT40-HBIT50-202 AK	56-74	3-12	202	249	BT40-H50-170			4.14	
35741408AK	BT40-HBIT50-84 AK	74-92	12-21	84	129	BT40-H50-50			2.24	
35741412AK	BT40-HBIT50-122 AK	74-92	12-21	122	169	BT40-H50-90			2.81	
35741416AK	BT40-HBIT50-162 AK	74-92	12-21	162	209	BT40-H50-130			3.29	
35741420AK	BT40-HBIT50-202 AK	74-92	12-21	202	249	BT40-H50-170			4.16	
35751408AK	BT40-HBIT50-84 AK	92-110	21-30	84	131	BT40-H50-50			2.28	
35751412AK	BT40-HBIT50-122 AK	92-110	21-30	122	171	BT40-H50-90			2.85	
35751416AK	BT40-HBIT50-162 AK	92-110	21-30	162	211	BT40-H50-130	3.33			
35751420AK	BT40-HBIT50-202 AK	92-110	21-30	202	251	BT40-H50-170	4.20			

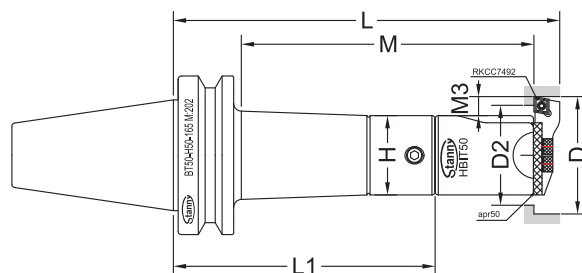


$D_2 > e$
下刀徑: $D_2 \times 2 - D > \text{HBIT}_$

訂貨編號 Order No.	規格 Model	範圍 D Boring Range øDMin-øDMax	M3	M	L	粗搪孔反搪系統組合 Adjustable Single Reverse Cutter Boring System				淨重 N.W.		
						搪孔刀柄 Taper Shank	粗搪孔刀本體 Boring Head	粗搪孔反搪刀座 Reverse Cutting Insert Holder	反搪孔壓板 Apron			
35761408AK	BT40-HBIT50-84 AK	110-128	30-39	84	131	BT40-H50-50	HBIT50	RKCC110128	apr50	2.30		
35761412AK	BT40-HBIT50-122 AK	110-128	30-39	122	171	BT40-H50-90				2.87		
35761416AK	BT40-HBIT50-162 AK	110-128	30-39	162	211	BT40-H50-130				3.35		
35761420AK	BT40-HBIT50-202 AK	110-128	30-39	202	251	BT40-H50-170				4.22		
35771408AK	BT40-HBIT50-84 AK	128-146	39-48	84	131	BT40-H50-50				2.30		
35771412AK	BT40-HBIT50-122 AK	128-146	39-48	122	171	BT40-H50-90				2.87		
35771416AK	BT40-HBIT50-162 AK	128-146	39-48	162	211	BT40-H50-130				3.35		
35771420AK	BT40-HBIT50-202 AK	128-146	39-48	202	251	BT40-H50-170				4.22		
36701408AK	BT40-HBIT63-86 AK	70-90	3-13	86	135	BT40-H63-55	HBIT63	RKCC7090	apr63	2.98		
36701413AK	BT40-HBIT63-136 AK	70-90	3-13	136	185	BT40-H63-105				4.19		
36701418AK	BT40-HBIT63-186 AK	70-90	3-13	186	235	BT40-H63-155				5.28		
36901408AK	BT40-HBIT63-86 AK	90-110	13-23	86	135	BT40-H63-55				3.03		
36901413AK	BT40-HBIT63-136 AK	90-110	13-23	136	185	BT40-H63-105				4.24		
36901418AK	BT40-HBIT63-186 AK	90-110	13-23	186	235	BT40-H63-155				5.33		
36911408AK	BT40-HBIT63-86 AK	110-130	23-33	86	137	BT40-H63-55				3.09		
36911413AK	BT40-HBIT63-136 AK	110-130	23-33	136	187	BT40-H63-105				4.30		
36911418AK	BT40-HBIT63-186 AK	110-130	23-33	186	237	BT40-H63-155	5.39					
36921408AK	BT40-HBIT63-86 AK	130-150	33-43	86	137	BT40-H63-55	HBIT80	RKCC110130	apr80	3.13		
36921413AK	BT40-HBIT63-136 AK	130-150	33-43	136	187	BT40-H63-105				4.34		
36921418AK	BT40-HBIT63-186 AK	130-150	33-43	186	237	BT40-H63-155				5.43		
36931408AK	BT40-HBIT63-86 AK	150-170	43-53	86	137	BT40-H63-55				3.18		
36931413AK	BT40-HBIT63-136 AK	150-170	43-53	136	187	BT40-H63-105				4.39		
36931418AK	BT40-HBIT63-186 AK	150-170	43-53	186	237	BT40-H63-155				5.48		
38901408AK	BT40-HBIT80-86 AK	90-130	5-25	86	135	BT40-H63-55				RKCC130150	apr80	3.47
38901413AK	BT40-HBIT80-136 AK	90-130	5-25	136	185	BT40-H63-105						4.68
38901418AK	BT40-HBIT80-186 AK	90-130	5-25	186	235	BT40-H63-155	5.77					
38911408AK	BT40-HBIT80-86 AK	130-170	25-45	86	135	BT40-H63-55	3.54					
38911413AK	BT40-HBIT80-136 AK	130-170	25-45	136	185	BT40-H63-105	4.75					
38911418AK	BT40-HBIT80-186 AK	130-170	25-45	186	235	BT40-H63-155	5.84					
38921408AK	BT40-HBIT80-86 AK	170-210	45-65	86	137	BT40-H63-55	3.65					
38921413AK	BT40-HBIT80-136 AK	170-210	45-65	136	187	BT40-H63-105	4.86					
38921418AK	BT40-HBIT80-186 AK	170-210	45-65	186	237	BT40-H63-155	5.95					

HBIT**粗搪孔刀—反搪-AK type****Adjustable Single Cutter for Reverse Roughing and Semi-Finishing Boring System**

搪孔刀柄、粗搪孔刀本體、粗搪孔反搪刀座、反搪孔壓板 Taper Shank, Body, Reverse Cutting Insert Holder and Apron



$D_2 > e$
下刀徑: $D_2 \times 2 - D > \text{HBIT}_L$

整支 SET**MAS403 BT-HBIT 粗搪孔刀—反搪-AK type****MAS403 BT and HBIT Adjustable Single Reverse Cutter Boring Head**

訂貨編號 Order No.	規格 Model	範圍 D Boring Range øDMin-øDMax	M3	M	L	粗搪孔反搪系統組合 Adjustable Single Reverse Cutter Boring System				淨重 N.W.
						搪孔刀柄 Taper Shank	粗搪孔刀本體 Boring Head	粗搪孔反搪刀座 Reverse Cutting Insert Holder	反搪孔壓板 Apron	
32291509AK	BT50-HBIT25-92 AK	29-36	2-5	92	166	BT50-H25-115	HBIT25	RKCC2936	apr25	4.32
32291511AK	BT50-HBIT25-117 AK	29-36	2-5	117	191	BT50-H25-140		RKCC2936		4.47
32291514AK	BT50-HBIT25-142 AK	29-36	2-5	142	216	BT50-H25-165		RKCC2936		4.57
32351509AK	BT50-HBIT25-92 AK	35-42	5-8	92	166	BT50-H25-115		RKCC3542		4.33
32351511AK	BT50-HBIT25-117 AK	35-42	5-8	117	191	BT50-H25-140	RKCC3542	4.48		
32351514AK	BT50-HBIT25-142 AK	35-42	5-8	142	216	BT50-H25-165	RKCC3542	4.58		
33361512AK	BT50-HBIT32-122 AK	36-45	2-6	122	196	BT50-H32-135	HBIT32	RKCC3645	apr32	4.91
33361515AK	BT50-HBIT32-152 AK	36-45	2-6	152	226	BT50-H32-165		RKCC3645		5.16
33361518AK	BT50-HBIT32-187 AK	36-45	2-6	187	261	BT50-H32-200		RKCC3645		5.36
33441512AK	BT50-HBIT32-122 AK	44-53	6-10	122	196	BT50-H32-135		RKCC4453		4.91
33441515AK	BT50-HBIT32-152 AK	44-53	6-10	152	226	BT50-H32-165	RKCC4453	5.16		
33441518AK	BT50-HBIT32-187 AK	44-53	6-10	187	261	BT50-H32-200	RKCC4453	5.36		
34451512AK	BT50-HBIT40-120 AK	45-56	2-8	120	198	BT50-H40-135	HBIT40	RKCC4556	apr40	5.44
34451517AK	BT50-HBIT40-170 AK	45-56	2-8	170	248	BT50-H40-185		RKCC4556		5.99
34451521AK	BT50-HBIT40-210 AK	45-56	2-8	210	288	BT50-H40-225		RKCC4556		6.44
34451525AK	BT50-HBIT40-250 AK	45-56	2-8	250	328	BT50-H40-265		RKCC4556		6.84
34551512AK	BT50-HBIT40-120 AK	55-66	7-13	120	198	BT50-H40-135	HBIT40	RKCC5566	apr40	5.45
34551517AK	BT50-HBIT40-170 AK	55-66	7-13	170	248	BT50-H40-185		RKCC5566		6.00
34551521AK	BT50-HBIT40-210 AK	55-66	7-13	210	288	BT50-H40-225		RKCC5566		6.45
34551525AK	BT50-HBIT40-250 AK	55-66	7-13	250	328	BT50-H40-265		RKCC5566		6.85
35561508AK	BT50-HBIT50-84 AK	56-74	3-12	84	144	BT50-H50-65	HBIT50	RKCC5674	apr50	4.87
35561518AK	BT50-HBIT50-184 AK	56-74	3-12	184	244	BT50-H50-165		RKCC5674		6.42
35561523AK	BT50-HBIT50-234 AK	56-74	3-12	234	294	BT50-H50-215		RKCC5674		7.37
35561528AK	BT50-HBIT50-284 AK	56-74	3-12	284	344	BT50-H50-265		RKCC5674		8.27
35741508AK	BT50-HBIT50-84 AK	74-92	12-21	84	144	BT50-H50-65	HBIT50	RKCC7492	apr50	4.89
35741518AK	BT50-HBIT50-184 AK	74-92	12-21	184	244	BT50-H50-165		RKCC7492		6.44
35741523AK	BT50-HBIT50-234 AK	74-92	12-21	234	294	BT50-H50-215		RKCC7492		7.39
35741528AK	BT50-HBIT50-284 AK	74-92	12-21	284	344	BT50-H50-265		RKCC7492		8.29
35751508AK	BT50-HBIT50-86 AK	92-110	21-30	86	146	BT50-H50-65	HBIT50	RKCC92110	apr50	4.93
35751518AK	BT50-HBIT50-186 AK	92-110	21-30	186	246	BT50-H50-165		RKCC92110		6.48
35751523AK	BT50-HBIT50-236 AK	92-110	21-30	236	296	BT50-H50-215		RKCC92110		7.43
35751528AK	BT50-HBIT50-286 AK	92-110	21-30	286	346	BT50-H50-265		RKCC92110		8.33
35761508AK	BT50-HBIT50-86 AK	110-128	30-39	86	146	BT50-H50-65	HBIT50	RKCC110128	apr50	4.95
35761518AK	BT50-HBIT50-186 AK	110-128	30-39	186	246	BT50-H50-165		RKCC110128		6.50
35761523AK	BT50-HBIT50-236 AK	110-128	30-39	236	296	BT50-H50-215		RKCC110128		7.45
35761528AK	BT50-HBIT50-286 AK	110-128	30-39	286	346	BT50-H50-265		RKCC110128		8.35
35771508AK	BT50-HBIT50-86 AK	128-146	39-48	86	146	BT50-H50-65	HBIT50	RKCC128146	apr50	4.97
35771518AK	BT50-HBIT50-186 AK	128-146	39-48	186	246	BT50-H50-165		RKCC128146		6.52
35771523AK	BT50-HBIT50-236 AK	128-146	39-48	236	296	BT50-H50-215		RKCC128146		7.47
35771528AK	BT50-HBIT50-286 AK	128-146	39-48	286	346	BT50-H50-265		RKCC128146		8.37

訂貨編號 Order No.	規 格 Model	範 圍 D Boring Range øDMin-øDMax	M3	M	L	粗搪孔反搪系統組合 Adjustable Single Reverse Cutter Boring System				淨 重 N.W.
						搪孔刀柄 Taper Shank	粗搪孔刀本體 Boring Head	粗搪孔反搪刀座 Reverse Cutting Insert Holder	反搪孔壓板 Apron	
36701510AK	BT50-HBIT63-100	AK 70-90	3-13	100	165	BT50-H63-85				6.04
36701518AK	BT50-HBIT63-180	AK 70-90	3-13	180	245	BT50-H63-165				7.94
36701523AK	BT50-HBIT63-230	AK 70-90	3-13	230	295	BT50-H63-215		RKCC7090		9.49
36701528AK	BT50-HBIT63-280	AK 70-90	3-13	280	345	BT50-H63-265				10.44
36701533AK	BT50-HBIT63-330	AK 70-90	3-13	330	395	BT50-H63-315				13.69
36901510AK	BT50-HBIT63-100	AK 90-110	13-23	100	165	BT50-H63-85				6.09
36901518AK	BT50-HBIT63-180	AK 90-110	13-23	180	245	BT50-H63-165				7.99
36901523AK	BT50-HBIT63-230	AK 90-110	13-23	230	295	BT50-H63-215		RKCC90110		9.54
36901528AK	BT50-HBIT63-280	AK 90-110	13-23	280	345	BT50-H63-265				10.49
36901533AK	BT50-HBIT63-330	AK 90-110	13-23	330	395	BT50-H63-315				13.74
36911510AK	BT50-HBIT63-102	AK 110-130	23-33	102	167	BT50-H63-85				6.15
36911518AK	BT50-HBIT63-182	AK 110-130	23-33	182	247	BT50-H63-165				8.05
36911523AK	BT50-HBIT63-232	AK 110-130	23-33	232	297	BT50-H63-215	HBIT63	RKCC110130	apr63	9.60
36911528AK	BT50-HBIT63-282	AK 110-130	23-33	282	347	BT50-H63-265				10.55
36911533AK	BT50-HBIT63-332	AK 110-130	23-33	332	397	BT50-H63-315				13.80
36921510AK	BT50-HBIT63-102	AK 130-150	33-43	102	167	BT50-H63-85				6.19
36921518AK	BT50-HBIT63-182	AK 130-150	33-43	182	247	BT50-H63-165				8.09
36921523AK	BT50-HBIT63-232	AK 130-150	33-43	232	297	BT50-H63-215		RKCC130150		9.64
36921528AK	BT50-HBIT63-282	AK 130-150	33-43	282	347	BT50-H63-265				10.59
36921533AK	BT50-HBIT63-332	AK 130-150	33-43	332	397	BT50-H63-315				13.84
36931510AK	BT50-HBIT63-102	AK 150-170	43-53	102	167	BT50-H63-85				6.24
36931518AK	BT50-HBIT63-182	AK 150-170	43-53	182	247	BT50-H63-165				8.14
36931523AK	BT50-HBIT63-232	AK 150-170	43-53	232	297	BT50-H63-215		RKCC150170		9.69
36931528AK	BT50-HBIT63-282	AK 150-170	43-53	282	347	BT50-H63-265				10.64
36931533AK	BT50-HBIT63-332	AK 150-170	43-53	332	397	BT50-H63-315				13.89
38901510AK	BT50-HBIT80-100	AK 90-130	5-25	100	165	BT50-H63-85				6.53
38901518AK	BT50-HBIT80-180	AK 90-130	5-25	180	245	BT50-H63-165				8.43
38901523AK	BT50-HBIT80-230	AK 90-130	5-25	230	295	BT50-H63-215		RKCC90130		9.98
38901528AK	BT50-HBIT80-280	AK 90-130	5-25	280	345	BT50-H63-265				10.93
38901533AK	BT50-HBIT80-330	AK 90-130	5-25	330	395	BT50-H63-315				14.18
38911510AK	BT50-HBIT80-100	AK 130-170	25-45	100	165	BT50-H63-85				6.60
38911518AK	BT50-HBIT80-180	AK 130-170	25-45	180	245	BT50-H63-165				8.50
38911523AK	BT50-HBIT80-230	AK 130-170	25-45	230	295	BT50-H63-215	HBIT80	RKCC130170	apr80	10.05
38911528AK	BT50-HBIT80-280	AK 130-170	25-45	280	345	BT50-H63-265				11.00
38911533AK	BT50-HBIT80-330	AK 130-170	25-45	330	395	BT50-H63-315				14.25
38921510AK	BT50-HBIT80-102	AK 170-210	45-65	102	167	BT50-H63-85				6.71
38921518AK	BT50-HBIT80-182	AK 170-210	45-65	182	247	BT50-H63-165				8.61
38921523AK	BT50-HBIT80-232	AK 170-210	45-65	232	297	BT50-H63-215		RKCC170210		10.16
38921528AK	BT50-HBIT80-282	AK 170-210	45-65	282	347	BT50-H63-265				11.11
38921533AK	BT50-HBIT80-332	AK 170-210	45-65	332	397	BT50-H63-315				14.36
38901508EAK	BT50-HBIT80E-85	AK 90-130	5-25	85	150	BT50-H80-70				6.67
38901513EAK	BT50-HBIT80E-130	AK 90-130	5-25	130	195	BT50-H80-115				8.22
38901518EAK	BT50-HBIT80E-180	AK 90-130	5-25	180	245	BT50-H80-165		RKCC90130		9.92
38901523EAK	BT50-HBIT80E-230	AK 90-130	5-25	230	295	BT50-H80-215				11.67
38901528EAK	BT50-HBIT80E-280	AK 90-130	5-25	280	345	BT50-H80-265				13.42
38901533EAK	BT50-HBIT80E-330	AK 90-130	5-25	330	395	BT50-H80-315				15.12
38911508EAK	BT50-HBIT80E-85	AK 130-170	25-45	85	150	BT50-H80-70				6.73
38911513EAK	BT50-HBIT80E-130	AK 130-170	25-45	130	195	BT50-H80-115				8.28
38911518EAK	BT50-HBIT80E-180	AK 130-170	25-45	180	245	BT50-H80-165				9.98
38911523EAK	BT50-HBIT80E-230	AK 130-170	25-45	230	295	BT50-H80-215	HBIT80E	RKCC130170	apr80	11.73
38911528EAK	BT50-HBIT80E-280	AK 130-170	25-45	280	345	BT50-H80-265				13.48
38911533EAK	BT50-HBIT80E-330	AK 130-170	25-45	330	395	BT50-H80-315				15.18
38921508EAK	BT50-HBIT80E-87	AK 170-210	45-65	87	152	BT50-H80-70				6.87
38921513EAK	BT50-HBIT80E-132	AK 170-210	45-65	132	197	BT50-H80-115				8.42
38921518EAK	BT50-HBIT80E-182	AK 170-210	45-65	182	247	BT50-H80-165				10.12
38921523EAK	BT50-HBIT80E-232	AK 170-210	45-65	232	297	BT50-H80-215		RKCC170210		11.87
38921528EAK	BT50-HBIT80E-282	AK 170-210	45-65	282	347	BT50-H80-265				13.62
38921533EAK	BT50-HBIT80E-332	AK 170-210	45-65	332	397	BT50-H80-315				15.32
39131515AK	BT50-HBIT120-150	AK 130-190	5-35	150	200	BT50-H100-100				12.44
39131520AK	BT50-HBIT120-200	AK 130-190	5-35	200	250	BT50-H100-150				15.09
39131525AK	BT50-HBIT120-250	AK 130-190	5-35	250	300	BT50-H100-200		RKCC130190		18.04
39131530AK	BT50-HBIT120-300	AK 130-190	5-35	300	350	BT50-H100-250				20.99
39171515AK	BT50-HBIT120-150	AK 170-230	25-55	150	200	BT50-H100-100	HBIT120		apr120	12.54
39171520AK	BT50-HBIT120-200	AK 170-230	25-55	200	250	BT50-H100-150				15.19
39171525AK	BT50-HBIT120-250	AK 170-230	25-55	250	300	BT50-H100-200		RKCC170230		18.14
39171530AK	BT50-HBIT120-300	AK 170-230	25-55	300	350	BT50-H100-250				21.09