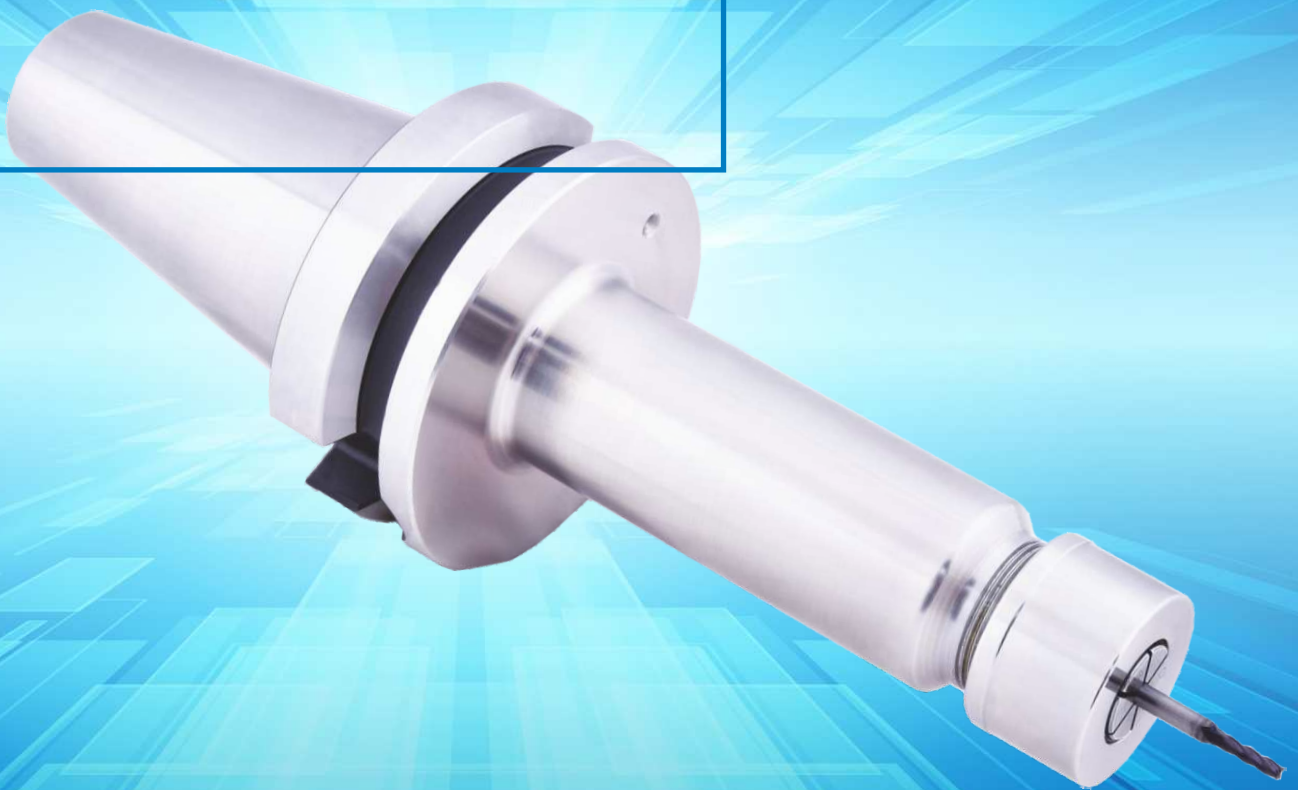


bilz

Super Collet
Spannzangenfutter
Super Collet Chuck



Hoch Spannkraft
 Rundlauf,
 Steifigkeit und
 Gleichgewicht

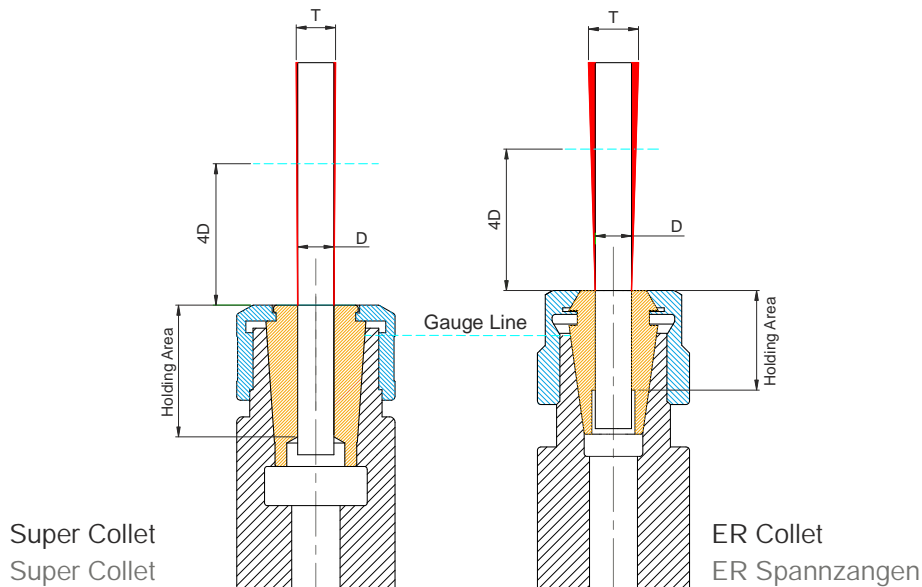
Rundlaufgenauigkeit $5\mu\text{m} @ 4D$
 Spannkraft doppelt so hoch wie bei
 ER-Spannzangenfutter
 Hohe Rundlaufgenauigkeit durch
 kompaktes Design



High Clamping force,
 Concentricity,
 Rigidity and balance

Run-out within $5\mu\text{m} @ 4D$
 Gripping force double than ER
 Integrated run-out accuracy with
 compact design

Super collet - Vorteile
 Super collet - Advantages



Super Collet

- Schlankes Design ermöglicht eine bessere Reichweite
- Kräfte laufen axial zur Mittellinie des Werkzeughalters um den Halt zu verbessern
- Mehr Grifffläche schafft bessere Genauigkeit

Super Collet

- Slim design allows for better reach
- Force is perpendicular to center line of tool holder for better grip
- More gripping area creates better accuracy

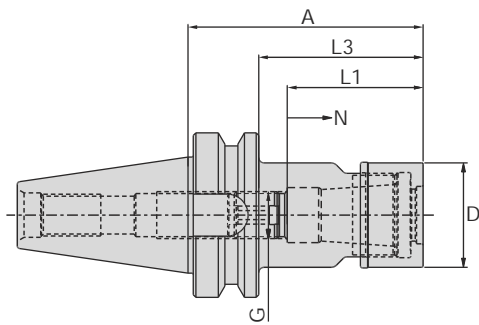
ER Spannzangen

- Breite Spannzangen = breite Mutterausführung
- Kräfte laufen winklig zur Mittellinie des Werkzeughalters
- Eine kleinere Greiffläche bedeutet eine geringere Genauigkeit

ER Collet

- Wide collets = wide nut design
- Force is angular to center line of tool holder
- Less gripping area results in lesser accuracy

Super collet Spannzangenfutter
Super collet chuck



BT 30											
Spannzange Collet Type	Bereich Range	D (mm)	A (mm)	L1 (mm)	L3 (mm)	G (mm)	N (mm)	Kühlmittelezufuhr Coolant supply	N/W (Kg)	Bezeichnung Designation	Ident No.
SC06	2-6	19.5	60	31.5	38	M8 x 1	12	Form "AD"	0,5	WSCH/SCF06-60/BT30	5100405
SC06	2-6	19.5	90	31.5	68	M8 x 1	12	Form "AD"	0,6	WSCH/SCF06-90/BT30	5100407
SC10	2-10	27.1	60	35.0	38	M12 x 1	12	Form "AD"	0,6	WSCH/SCF10-60/BT30	5100408
SC10	2-10	27.1	90	35.0	68	M12 x 1	12	Form "AD"	0,6	WSCH/SCF10-90/BT30	5100416
SC13	3-13	33.0	60	43.0	38	M15 x 1	16	Form "AD"	0,6	WSCH/SCF13-60/BT30	5100420
SC13	3-13	33.0	90	43.0	68	M15 x 1	16	Form "AD"	0,7	WSCH/SCF13-90/BT30	5100421
SC16	3-16	40.0	60	52.0	38	M12 x 1	16	Form "AD"	0,7	WSCH/SCF16-60/BT30	5100423
SC16	3-16	40.0	90	52.0	68	M18 x 1.5	16	Form "AD"	0,8	WSCH/SCF16-90/BT30	5100425
SC20	6-20	48.0	60	59.5	38	-	16	Form "AD"	0,7	WSCH/SCF20-60/BT30	5100426
SC20	6-20	48.0	90	59.5	68	M22 x 1.5	16	Form "AD"	0,9	WSCH/SCF20-90/BT30	5100427
SC25	6-25	55.0	90	63.5	68	M28 x 1.5	20	Form "AD"	1,1	WSCH/SCF25-90/BT30	5100429

BT 40											
Spannzange Collet Type	Bereich Range	D (mm)	A (mm)	L1 (mm)	L3 (mm)	G (mm)	N (mm)	Kühlmittelezufuhr Coolant supply	N/W (Kg)	Bezeichnung Designation	Ident No.
SC06	2-6	19.5	90	31.5	63	M8 x 1	12	Form "AD"	1,1	WSCH/SCF06-90/BT40	5100431
SC06	2-6	19.5	120	31.5	93	M8 x 1	12	Form "AD"	1,2	WSCH/SCF06-120/BT40	5100434
SC06	2-6	19.5	150	31.5	123	M8 x 1	12	Form "AD"	1,3	WSCH/SCF06-150/BT40	5100435
SC10	2-10	27.1	90	35.0	63	M12 x 1	12	Form "AD"	1,2	WSCH/SCF10-90/BT40	5100436
SC10	2-10	27.1	120	35.0	93	M12 x 1	12	Form "AD"	1,3	WSCH/SCF10-120/BT40	5100437
SC10	2-10	27.1	150	35.0	123	M12 x 1	16	Form "AD"	1,4	WSCH/SCF10-150/BT40	5100439
SC13	3-13	33.0	90	43.0	63	M15 x 1	16	Form "AD"	1,3	WSCH/SCF13-90/BT40	5100441
SC13	3-13	33.0	120	43.0	93	M15 x 1	16	Form "AD"	1,5	WSCH/SCF13-120/BT40	5100442
SC13	3-13	33.0	150	43.0	123	M15 x 1	16	Form "AD"	1,6	WSCH/SCF13-150/BT40	5100443
SC16	3-16	40.0	90	52.0	63	M18 x 1.5	16	Form "AD"	1,4	WSCH/SCF16-90/BT40	5100444
SC16	3-16	40.0	120	52.0	93	M18 x 1.5	16	Form "AD"	1,7	WSCH/SCF16-120/BT40	5100446
SC16	3-16	40.0	150	52.0	123	M18 x 1.5	16	Form "AD"	1,9	WSCH/SCF16-150/BT40	5100447
SC20	6-20	48.0	90	59.5	63	M22 x 1.5	16	Form "AD"	1,4	WSCH/SCF20-90/BT40	5100448
SC20	6-20	48.0	120	59.5	93	M22 x 1.5	16	Form "AD"	2,0	WSCH/SCF20-120/BT40	5100449
SC20	6-20	48.0	150	59.5	123	M22 x 1.5	16	Form "AD"	2,3	WSCH/SCF20-150/BT40	5100450
SC25	6-25	55.0	90	63.5	63	M28 x 1.5	25	Form "AD"	1,4	WSCH/SCF25-90/BT40	5100452
SC25	6-25	55.0	120	63.5	93	M28 x 1.5	25	Form "AD"	2,1	WSCH/SCF25-120/BT40	5100453
SC25	6-25	55.0	150	63.5	123	M28 x 1.5	25	Form "AD"	2,6	WSCH/SCF25-150/BT40	5100456

Ersatzteile und Zubehör:
Spare Parts & Accessories:



Anzugsbolzen
Pull stud



Super Collet
Super Collet



Spannmutter
Friction Nut

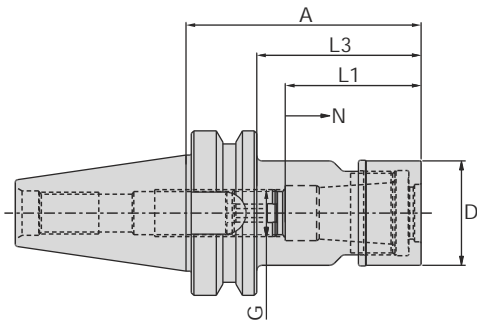


Rollspannschlüssel
Friction Wrench

• Im Lieferumfang enthalten: mit Spannmutter (gewuchtet) und Verstellechraube

• Delivery includes: Clamping nut (friction type), Adjusting screw

Super collet Spannzangenfutter
Super collet chuck

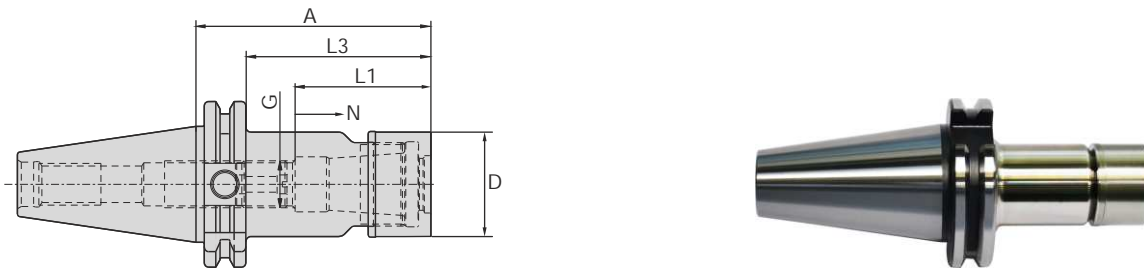


BT 50													
Spannzange Collet Type	Bereich Range	D (mm)	A (mm)	L1 (mm)	L3 (mm)	G (mm)	N (mm)	Kühlmittelezufuhr Coolant supply	N/W (Kg)	Bezeichnung Designation	Ident No.		
SC06	2-6	19.5	105	31.5	67	M8 x 1	12	Form "AD"	3,8	WSCH/SCF06-105/BT50	5100457		
SC06	2-6	19.5	135	31.5	97	M8 x 1	12	Form "AD"	3,8	WSCH/SCF06-135/BT50	5100458		
SC06	2-6	19.5	165	31.5	127	M8 x 1	12	Form "AD"	3,9	WSCH/SCF06-165/BT50	5100459		
SC10	2-10	27.1	105	35.0	67	M12 x 1	12	Form "AD"	3,9	WSCH/SCF10-105/BT50	5100460		
SC10	2-10	27.1	135	35.0	97	M12 x 1	12	Form "AD"	3,9	WSCH/SCF10-135/BT50	5100461		
SC10	2-10	27.1	165	35.0	127	M12 x 1	12	Form "AD"	4,0	WSCH/SCF10-165/BT50	5100462		
SC13	3-13	33.0	105	43.0	67	M15 x 1	16	Form "AD"	4,0	WSCH/SCF13-105/BT50	5101997		
SC13	3-13	33.0	135	43.0	97	M15 x 1	16	Form "AD"	4,2	WSCH/SCF13-135/BT50	5101998		
SC13	3-13	33.0	165	43.0	127	M15 x 1	16	Form "AD"	4,4	WSCH/SCF13-165/BT50	5101999		
SC16	3-16	40.0	105	52.0	67	M18 x 1.5	16	Form "AD"	4,1	WSCH/SCF16-105/BT50	5102000		
SC16	3-16	40.0	135	52.0	97	M18 x 1.5	16	Form "AD"	4,4	WSCH/SCF16-135/BT50	5102001		
SC16	3-16	40.0	165	52.0	127	M18 x 1.5	16	Form "AD"	4,6	WSCH/SCF16-165/BT50	5102002		
SC20	6-20	48.0	105	59.5	67	M22 x 1.5	16	Form "AD"	4,2	WSCH/SCF20-105/BT50	5102003		
SC20	6-20	48.0	135	59.5	97	M22 x 1.5	16	Form "AD"	4,6	WSCH/SCF20-135/BT50	5102004		
SC20	6-20	48.0	165	59.5	127	M22 x 1.5	16	Form "AD"	4,9	WSCH/SCF20-165/BT50	5102005		
SC25	6-25	55.0	105	63.5	67	M28 x 1.5	20	Form "AD"	4,3	WSCH/SCF25-105/BT50	5102006		
SC25	6-25	55.0	135	63.5	97	M28 x 1.5	20	Form "AD"	4,7	WSCH/SCF25-135/BT50	5102007		
SC25	6-25	55.0	165	63.5	127	M28 x 1.5	20	Form "AD"	5,2	WSCH/SCF25-165/BT50	5102008		

Ersatzteile und Zubehör: Spare Parts & Accessories:				
--	--	--	--	--

• Im Lieferumfang enthalten: mit Spannmutter (gewuchtet) und Verstellechraube • Delivery includes: Clamping nut (friction type), Adjusting screw

Super collet Spannzangenfutter
Super collet chuck



SK 40											
Spannzange Collet Type	Bereich Range	D (mm)	A (mm)	L1 (mm)	L3 (mm)	G (mm)	N (mm)	Kühlmittelezufuhr Coolant supply	N/W (Kg)	Bezeichnung Designation	Ident No.
SC06	2-6	19.5	90	31.5	85.9	M8 x 1	12	Form "AD"	1,0	WSCH/SCF06-90/SK40	5102046
SC06	2-6	19.5	120	31.5	115.9	M8 x 1	12	Form "AD"	1,0	WSCH/SCF06-120/SK40	5102048
SC06	2-6	19.5	150	31.5	145.9	M8 x 1	12	Form "AD"	1,1	WSCH/SCF06-150/SK40	5102050
SC10	2-10	27.1	90	35	85.9	M12 x 1	12	Form "AD"	1,1	WSCH/SCF10-90/SK40	5102051
SC10	2-10	27.1	120	35	115.9	M12 x 1	12	Form "AD"	1,2	WSCH/SCF10-120/SK40	5102053
SC10	2-10	27.1	150	35	145.9	M12 x 1	12	Form "AD"	1,3	WSCH/SCF10-150/SK40	5102057
SC13	3-13	33.0	90	43	85.9	M15 x 1	16	Form "AD"	1,2	WSCH/SCF13-90/SK40	5102059
SC13	3-13	33.0	120	43	115.9	M15 x 1	16	Form "AD"	1,3	WSCH/SCF13-120/SK40	5102060
SC13	3-13	33.0	150	43	145.9	M15 x 1	16	Form "AD"	1,5	WSCH/SCF13-150/SK40	5102061
SC16	3-16	40.0	90	52	85.9	M18 x 1.5	16	Form "AD"	1,3	WSCH/SCF16-90/SK40	5102062
SC16	3-16	40.0	120	52	115.9	M18 x 1.5	16	Form "AD"	1,6	WSCH/SCF16-120/SK40	5102063
SC16	3-16	40.0	150	52	145.9	M18 x 1.5	16	Form "AD"	1,8	WSCH/SCF16-150/SK40	5102068
SC20	6-20	48.0	90	59.5	85.9	M22 x 1.5	16	Form "AD"	1,5	WSCH/SCF20-90/SK40	5102070
SC20	6-20	48.0	120	59.5	115.9	M22 x 1.5	16	Form "AD"	1,9	WSCH/SCF20-120/SK40	5102071
SC20	6-20	48.0	150	59.5	145.9	M22 x 1.5	16	Form "AD"	2,3	WSCH/SCF20-150/SK40	5102072
SC25	6-25	55.0	90	63.5	85.9	M28 x 1.5	20	Form "AD"	1,4	WSCH/SCF25-90/SK40	5102073
SC25	6-25	55.0	120	63.5	115.9	M28 x 1.5	20	Form "AD"	1,7	WSCH/SCF25-120/SK40	5102074
SC25	6-25	55.0	150	63.5	145.9	M28 x 1.5	20	Form "AD"	2,0	WSCH/SCF25-150/SK40	5102075

SK 50											
Spannzange Collet Type	Bereich Range	D (mm)	A (mm)	L1 (mm)	L3 (mm)	G (mm)	N (mm)	Kühlmittelezufuhr Coolant supply	N/W (Kg)	Bezeichnung Designation	Ident No.
SC06	2-6	19.5	105	31.5	85.9	M8 x 1	12	Form "AD"	2,9	WSCH/SCF06-105/SK50	5102076
SC06	2-6	19.5	135	31.5	115.9	M8 x 1	12	Form "AD"	2,9	WSCH/SCF06-135/SK50	5102077
SC06	2-6	19.5	165	31.5	145.9	M8 x 1	12	Form "AD"	3,0	WSCH/SCF06-165/SK50	5102078
SC10	2-10	27.1	105	35	85.9	M12 x 1	12	Form "AD"	3,0	WSCH/SCF10-105/SK50	5102079
SC10	2-10	27.1	135	35	115.9	M12 x 1	12	Form "AD"	3,1	WSCH/SCF10-135/SK50	5102080
SC10	2-10	27.1	165	35	145.9	M12 x 1	12	Form "AD"	3,2	WSCH/SCF10-165/SK50	5102081
SC13	3-13	33	105	43	85.9	M15 x 1	16	Form "AD"	3,1	WSCH/SCF13-105/SK50	5102082
SC13	3-13	33	135	43	115.9	M15 x 1	16	Form "AD"	3,2	WSCH/SCF13-135/SK50	5102083
SC13	3-13	33	165	43	145.9	M15 x 1	16	Form "AD"	3,4	WSCH/SCF13-165/SK50	5102084
SC16	3-16	40	105	52	85.9	M18 x 1.5	16	Form "AD"	3,3	WSCH/SCF16-105/SK50	5102085
SC16	3-16	40	135	52	115.9	M18 x 1.5	16	Form "AD"	3,5	WSCH/SCF16-135/SK50	5102086
SC16	3-16	40	165	52	145.9	M18 x 1.5	16	Form "AD"	3,8	WSCH/SCF16-165/SK50	5102087
SC20	6-20	48	105	59.5	85.9	M22 x 1.5	16	Form "AD"	3,6	WSCH/SCF20-105/SK50	5102088
SC20	6-20	48	135	59.5	115.9	M22 x 1.5	16	Form "AD"	3,9	WSCH/SCF20-135/SK50	5102089
SC20	6-20	48	165	59.5	145.9	M22 x 1.5	16	Form "AD"	4,2	WSCH/SCF20-165/SK50	5102091
SC25	6-25	55	105	63.5	85.9	M28 x 1.5	20	Form "AD"	3,3	WSCH/SCF25-105/SK50	5102092
SC25	6-25	55	135	63.5	115.9	M28 x 1.5	20	Form "AD"	3,6	WSCH/SCF25-135/SK50	5102093
SC25	6-25	55	165	63.5	145.9	M28 x 1.5	20	Form "AD"	4,0	WSCH/SCF25-165/SK50	5102095

Ersatzteile und Zubehör:
Spare Parts & Accessories:



Anzugsbolzen
Pull stud



Super Collet
Super Collet



Spannmutter
Friction Nut

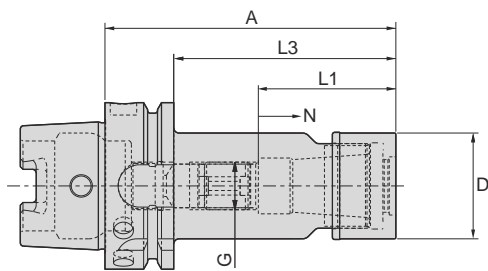


Rollspannschlüssel
Friction Wrench

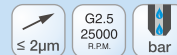
• Im Lieferumfang enthalten: mit Spannmutter (gewuchtet) und Verstellerschraube

• Delivery includes: Clamping nut (friction type), Adjusting screw

Super collet Spannzangenfutter
Super collet chuck



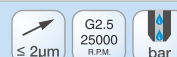
HSK-A50											
Spannzange Collet Type	Bereich Range	D (mm)	A (mm)	L1 (mm)	L3 (mm)	G (mm)	N (mm)	Kühlmittelezufuhr Coolant supply	N/W (Kg)	Bezeichnung Designation	Ident No.
SC06	2-6	19.5	80	31.5	54	M8 x 1	12	Form "AD"	0,7	WSCH/SCF06-80/HSK-A50	5102129
SC10	2-10	27.1	100	35.0	74	M12 x 1	12	Form "AD"	0,8	WSCH/SCF10-100/HSK-A50	5102130
SC13	3-13	33.0	100	43.0	74	M15 x 1	16	Form "AD"	0,8	WSCH/SCF13-100/HSK-A50	5102131



HSK-A63											
Spannzange Collet Type	Bereich Range	D (mm)	A (mm)	L1 (mm)	L3 (mm)	G (mm)	N (mm)	Kühlmittelezufuhr Coolant supply	N/W (Kg)	Bezeichnung Designation	Ident No.
SC06	2-6	19.5	100	31.5	74.0	M8 x 1	12	Form "AD"	0,9	WSCH/SCF06-100/HSK-A63	5102132
SC06	2-6	19.5	120	31.5	94.0	M8 x 1	12	Form "AD"	1,0	WSCH/SCF06-120/HSK-A63	5102133
SC06	2-6	19.5	150	31.5	124.0	M8 x 1	12	Form "AD"	1,0	WSCH/SCF06-150/HSK-A63	5102134
SC10	2-10	27.1	105	35	79.0	M12 x 1	12	Form "AD"	1,0	WSCH/SCF10-105/HSK-A63	5102135
SC10	2-10	27.1	120	35	94.0	M12 x 1	12	Form "AD"	1,1	WSCH/SCF10-120/HSK-A63	5102136
SC10	2-10	27.1	150	35	124.0	M12 x 1	12	Form "AD"	1,2	WSCH/SCF10-150/HSK-A63	5102137
SC13	3-13	33.0	120	43	94.0	M15 x 1	16	Form "AD"	1,2	WSCH/SCF13-120/HSK-A63	5102138
SC13	3-13	33.0	150	43	124.0	M15 x 1	16	Form "AD"	1,3	WSCH/SCF13-150/HSK-A63	5102141
SC16	3-16	40.0	120	52	94.0	M18 x 1.5	16	Form "AD"	1,4	WSCH/SCF16-120/HSK-A63	5102142
SC16	3-16	40.0	150	52	124.0	M18 x 1.5	16	Form "AD"	1,7	WSCH/SCF16-150/HSK-A63	5102143
SC20	6-20	48.0	120	59.5	94.0	M22 x 1.5	16	Form "AD"	1,7	WSCH/SCF20-120/HSK-A63	5102144
SC20	6-20	48.0	150	59.5	124.0	M22 x 1.5	16	Form "AD"	2,1	WSCH/SCF20-150/HSK-A63	5102145
SC25	6-25	55.0	135	63.5	109.0	M28 x 1.5	20	Form "AD"	2,1	WSCH/SCF25-135/HSK-A63	5102146



HSK-A100											
Spannzange Collet Type	Bereich Range	D (mm)	A (mm)	L1 (mm)	L3 (mm)	G (mm)	N (mm)	Kühlmittelezufuhr Coolant supply	N/W (Kg)	Bezeichnung Designation	Ident No.
SC06	2-6	19.5	105	31.5	76.0	M8 x 1	12	Form "AD"	2,3	WSCH/SCF06-105/HSK-A100	5102188
SC10	2-10	27.1	105	35	76.0	M12 x 1	12	Form "AD"	2,4	WSCH/SCF10-105/HSK-A100	5102189
SC10	2-10	27.1	120	35	91.0	M12 x 1	12	Form "AD"	2,5	WSCH/SCF10-120/HSK-A100	5102190
SC10	2-10	27.1	150	35	121.0	M12 x 1	12	Form "AD"	2,6	WSCH/SCF10-150/HSK-A100	5102191
SC13	3-13	33.0	120	43	91.0	M15 x 1	16	Form "AD"	2,6	WSCH/SCF13-120/HSK-A100	5102192
SC13	3-13	33.0	150	43	121.0	M15 x 1	16	Form "AD"	2,8	WSCH/SCF13-150/HSK-A100	5102193
SC16	3-16	40.0	120	52	91.0	M18 x 1.5	16	Form "AD"	2,6	WSCH/SCF16-120/HSK-A100	5102194
SC16	3-16	40.0	150	52	121.0	M18 x 1.5	16	Form "AD"	3,0	WSCH/SCF16-150/HSK-A100	5102195
SC20	6-20	48.0	120	59.5	91.0	M22 x 1.5	16	Form "AD"	3,1	WSCH/SCF20-120/HSK-A100	5102196
SC20	6-20	48.0	150	59.5	121.0	M22 x 1.5	16	Form "AD"	3,5	WSCH/SCF20-150/HSK-A100	5102197
SC25	6-25	55.0	145	63.5	116.0	M28 x 1.5	20	Form "AD"	3,6	WSCH/SCF25-145/HSK-A100	5102198

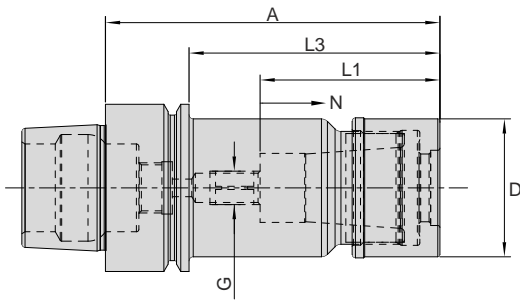


Ersatzteile und Zubehör: Spare Parts & Accessories:	Anzugsbolzen Pull stud	Super Collet Super Collet	Spannmutter Friction Nut	Rollspannschlüssel Friction Wrench
--	---------------------------	------------------------------	-----------------------------	---------------------------------------

• Im Lieferumfang enthalten: mit Spannmutter (gewuchtet) und Verstellerschraube • Delivery includes: Clamping nut (friction type), Adjusting screw

Super collet Spannzangenfutter

Super collet chuck



HSK-E32											≤ 2µm	G2.5 25000 RPM	bar
Spannzange Collet Type	Bereich Range	D (mm)	A (mm)	L1 (mm)	L3 (mm)	G (mm)	N (mm)	Kühlmittelzufuhr Coolant supply	N/W (Kg)	Bezeichnung Designation	Ident No.		
SC06	2-6	19.5	60	31.5	40	M5	8	Form "AD"	0,19	WSCH/SCF06-60/HSK-E32	5144155		
SC10	2-10	27.1	60	35.0	40	M5	8	Form "AD"	0,25	WSCH/SCF10-60/HSK-E32	5144161		

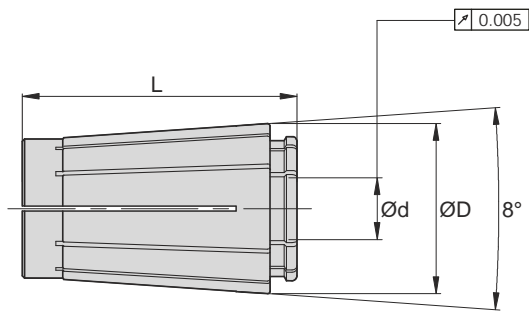
HSK-E40											≤ 2µm	G2.5 25000 RPM	bar
Spannzange Collet Type	Bereich Range	D (mm)	A (mm)	L1 (mm)	L3 (mm)	G (mm)	N (mm)	Kühlmittelzufuhr Coolant supply	N/W (Kg)	Bezeichnung Designation	Ident No.		
SC06	2-6	19.5	60	31.5	40	M5	8	Form "AD"	0,27	WSCH/SCF06-60/HSK-E40	5144163		
SC06	2-6	19.5	120	31.5	100	M5	8	Form "AD"	0,40	WSCH/SCF06-120/HSK-E40	5144166		
SC10	2-10	27.1	60	35.0	40	M5	8	Form "AD"	0,33	WSCH/SCF10-60/HSK-E40	5144170		
SC10	2-10	27.1	105	35.0	100	M5	8	Form "AD"	0,60	WSCH/SCF10-120/HSK-E40	5144173		
SC13	3-13	33.0	80	43.0	54	M8 x 1	10	Form "AD"	0,51	WSCH/SCF13-80/HSK-E40	5122548		
SC13	3-13	33.0	120	43.0	94	M8 x 1	10	Form "AD"	0,77	WSCH/SCF13-120/HSK-E40	5144179		

HSK-E50											≤ 2µm	G2.5 25000 RPM	bar
Spannzange Collet Type	Bereich Range	D (mm)	A (mm)	L1 (mm)	L3 (mm)	G (mm)	N (mm)	Kühlmittelzufuhr Coolant supply	N/W (Kg)	Bezeichnung Designation	Ident No.		
SC06	2-6	19.5	70	31.5	50	M5	8	Form "AD"	0,49	WSCH/SCF06-70/HSK-E50	5144181		
SC06	2-6	19.5	120	31.5	100	M5	8	Form "AD"	0,60	WSCH/SCF06-120/HSK-E50	5144183		
SC10	2-10	27.1	70	35.0	50	M5	8	Form "AD"	0,78	WSCH/SCF10-70/HSK-E50	5144184		
SC10	2-10	27.1	120	35.0	100	M5	8	Form "AD"	0,78	WSCH/SCF10-120/HSK-E50	5144185		
SC13	3-13	33.0	80	43.0	50	M8 x 1	10	Form "AD"	0,67	WSCH/SCF13-80/HSK-E50	5144186		
SC13	3-13	33.0	120	43.0	100	M8 x 1	10	Form "AD"	0,93	WSCH/SCF13-120/HSK-E50	5144188		

Ersatzteile und Zubehör: Spare Parts & Accessories:	Anzugsbolzen Pull stud	Super Collet Super Collet	Spannmutter Friction Nut	Rollspannschlüssel Friction Wrench
--	---------------------------	------------------------------	-----------------------------	---------------------------------------

• Im Lieferumfang enthalten: mit Spannmutter (gewuchtet) und Verstellerschraube • Delivery includes: Clamping nut (friction type), Adjusting screw

Super collet
Super collet

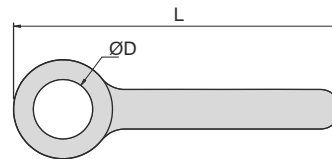


Spannzange Collet Type	Bereich Range	d (mm)	L (mm)	D (mm)	Ident No.
SC06-2.0	1.75-2.00	2.0	25	11	5103501
SC06-2.5	2.25-2.50	2.5	25	11	5103503
SC06-3.0	2.75-3.00	3.0	25	11	5103504
SC06-3.5	3.00-3.50	3.5	25	11	5103505
SC06-4.0	3.50-4.00	4.0	25	11	5103506
SC06-4.5	4.00-4.50	4.5	25	11	5103507
SC06-5.0	4.50-5.00	5.0	25	11	5103511
SC06-5.5	5.00-5.50	5.5	25	11	5103512
SC06-6.0	5.50-6.00	6.0	25	11	5103513
SC10-2.0	1.75-2.00	2.0	30	16	5103572
SC10-2.5	2.25-2.50	2.5	30	16	5103574
SC10-3.0	2.75-3.00	3.0	30	16	5103575
SC10-3.5	3.00-3.50	3.5	30	16	5103576
SC10-4.0	3.50-4.00	4.0	30	16	5103577
SC10-4.5	4.00-4.50	4.5	30	16	5103578
SC10-5.0	4.50-5.00	5.0	30	16	5103579
SC10-5.5	5.00-5.50	5.5	30	16	5103580
SC10-6.0	5.50-6.00	6.0	30	16	5103581
SC10-6.5	6.00-6.50	6.5	30	16	5103582
SC10-7.0	6.50-7.00	7.0	30	16	5103583
SC10-7.5	7.00-7.50	7.5	30	16	5103584
SC10-8.0	7.50-8.00	8.0	30	16	5103585
SC10-8.5	8.00-8.50	8.5	30	16	5103586
SC10-9.0	8.50-9.00	9.0	30	16	5103587
SC10-9.5	9.00-9.50	9.5	30	16	5103588
SC10-10.0	9.50-10.00	10.0	30	16	5103589
SC13-3.0	2.75-3.00	3.0	39	20	5103654
SC13-3.5	3.00-3.50	3.5	39	20	5103655
SC13-4.0	3.50-4.00	4.0	39	20	5103656
SC13-4.5	4.00-4.50	4.5	39	20	5103657
SC13-5.0	4.50-5.00	5.0	39	20	5103658
SC13-5.5	5.00-5.50	5.5	39	20	5103659
SC13-6.0	5.50-6.00	6.0	39	20	5103660
SC13-6.5	6.00-6.50	6.5	39	20	5103661
SC13-7.0	6.50-7.00	7.0	39	20	5103662
SC13-7.5	7.00-7.50	7.5	39	20	5103663
SC13-8.0	7.50-8.00	8.0	39	20	5103664
SC13-8.5	8.00-8.50	8.5	39	20	5103665
SC13-9.0	8.50-9.00	9.0	39	20	5103667
SC13-9.5	9.00-9.50	9.5	39	20	5103668
SC13-10.0	9.50-10.00	10.0	39	20	5103669
SC13-10.5	10.00-10.50	10.5	39	20	5103670
SC13-11.0	10.50-11.00	11.0	39	20	5103671
SC13-11.5	11.00-11.50	11.5	39	20	5103672
SC13-12.0	11.50-12.00	12.0	39	20	5103673
SC13-12.5	12.00-12.50	12.5	39	20	5103674
SC13-13.0	12.50-13.00	13.0	39	20	5103675

Super collet
Super collet

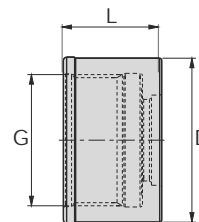
Spannzange Collet Type	d (mm)	L (mm)	D (mm)	Ident No.
SC16-3.0	3.0	45	25	5103676
SC16-4.0	4.0	45	25	5103678
SC16-5.0	5.0	45	25	5103680
SC16-6.0	6.0	45	25	5103681
SC16-8.0	8.0	45	25	5103682
SC16-10.0	10.0	45	25	5103683
SC16-12.0	12.0	45	25	5103684
SC16-16.0	16.0	45	25	5103685
SC20-6.0	6.0	50	30	5103952
SC20-8.0	8.0	50	30	5103953
SC20-10.0	10.0	50	30	5103954
SC20-12.0	12.0	50	30	5103970
SC20-14.0	14.0	50	30	5103972
SC20-16.0	16.0	50	30	5103974
SC20-18.0	18.0	50	30	5103976
SC20-20.0	20.0	50	30	5103977
SC25-6.0	6.0	57	36	5104103
SC25-8.0	8.0	57	36	5104104
SC25-10.0	10.0	57	36	5104105
SC25-12.0	12.0	57	36	5104106
SC25-16.0	16.0	57	36	5104107
SC25-20.0	20.0	57	36	5104108
SC25-25.0	25.0	57	36	5104109

Rollspannschlüssel
Friction Wrench



Bezeichnung Designation	Spannzange Collet Type	D (mm)	L (mm)	Ident No.
FW-D19.5	SCN06-FN	19.5	130	5102205
FW-D27.1	SCN10-FN	27.1	135	5103190
FW-D33	SCN13-FN	33.0	160	5102206
FW-D40	SCN16-FN	40.0	180	5102207
FW-D48	SCN20-FN	48.0	210	5103191
FW-D55	SCN25-FN	55.0	300	5102209

Spannmutter für Rollspannschlüssel
Friction Nut



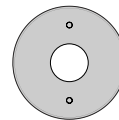
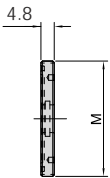
Spannzange Collet Type	Bereich Range	ØD (mm)	L (mm)	G (mm)	Ident No.
SCN06-FN	2.0-6.0	19.5	15	M15.5x1	5102199
SCN10-FN	2.0-10.0	27.1	17	M21.5x1	5102200
SCN13-FN	3.0-13.0	33.0	21	M27x1	5102201
SCN16-FN	4.0-16.0	40.0	24	M32x1.5	5102202
SCN20-FN	6.0-20.0	48.0	24	M40x1	5102203
SCN25-FN	16.0-25.0	55.0	30	M45x1.5	5102204

Super collet Spannzangenfutter mit innerer Kühlung
 Super collet chuck with internal coolant

Optionale innere Kuehlung fuer Anwendungen mit Kuehlmittelzufuhr
 Verhindert, dass Dreck und Späne in die Spannzange gelangen
 Optional internal coolant for coolant through applications.
 Prevents chips, dirt & swarf from entering the slots of the collets



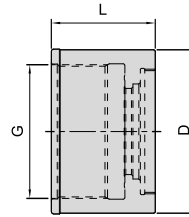
Dichtscheibe
 Sealing disc



Dichtebereich Sealing Range mm	Id. No. SD-SC06 M16x1	Id. No. SD-SC10 M22x1	Id. No. SD-SC13 M28x1	Id. No. SD-SC16 M34x1	Id. No. SD-SC20 M36x1	Id. No. SD-SC25 M42x1
4.0	5152620	5152739	5152744	5152750		
5.0	5152622	5152740	5152745	5152751		
6.0	5152738	5152741	5152746	5152752	5152757	5152763
8.0		5152742	5152747	5152753	5152758	5152765
10.0		5152743	5152748	5152754	5152759	5152766
12.0			5152749	5152755	5152760	5152767
16.0				5152756	5152761	5152768
20.0					5152762	5152769
25.0						5152770

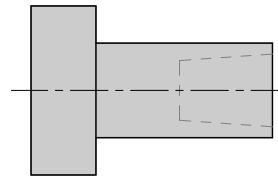
Super collet Spannzangenfutter mit innerer Kühlung
 Super collet chuck with internal coolant

Spannmutter mit innerer Kühlung
 Friction nut with internal coolant



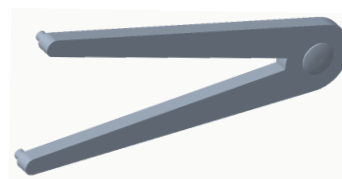
Spannzange Collet Type	Bereich Range	ØD (mm)	L (mm)	G (mm)	Ident No.
SCN06-IC-FN	2.0-6.0	19.5	20	M15.5x1	5152771
SCN10-IC-FN	2.0-10.0	27.1	22	M21.5x1	5152772
SCN13-IC-FN	3.0-13.0	33.0	26	M27x1	5152773
SCN16-IC-FN	4.0-16.0	40.0	29	M32x1.5	5152774
SCN20-IC-FN	6.0-20.0	48.0	29	M40x1	5152775
SCN25-IC-FN	6.0-25.0	55.0	35	M45x1.5	5152776

Ausziehwerkzeug
 SC Collet Puller



Spannzange Collet Type	Ident No.
SCP06	5152778
SCP10	5152779
SCP13	5152780
SCP16	5152781
SCP20	5152782
SCP25	5152783

Stirnlochschlüssel
 Adjustable pin wrench



Spannzange Collet Type	Ident No.
GWA0	6721800



**BILZ WERKZEUGFABRIK
GmbH & Co. KG**
Vogelsangstr. 8
73760 Ostfildern
Deutschland / Germany
Telefon +49 711 348 01 - 0
Telefax +49 711 348 12 56
info@bilz.de
www.bilz.com

